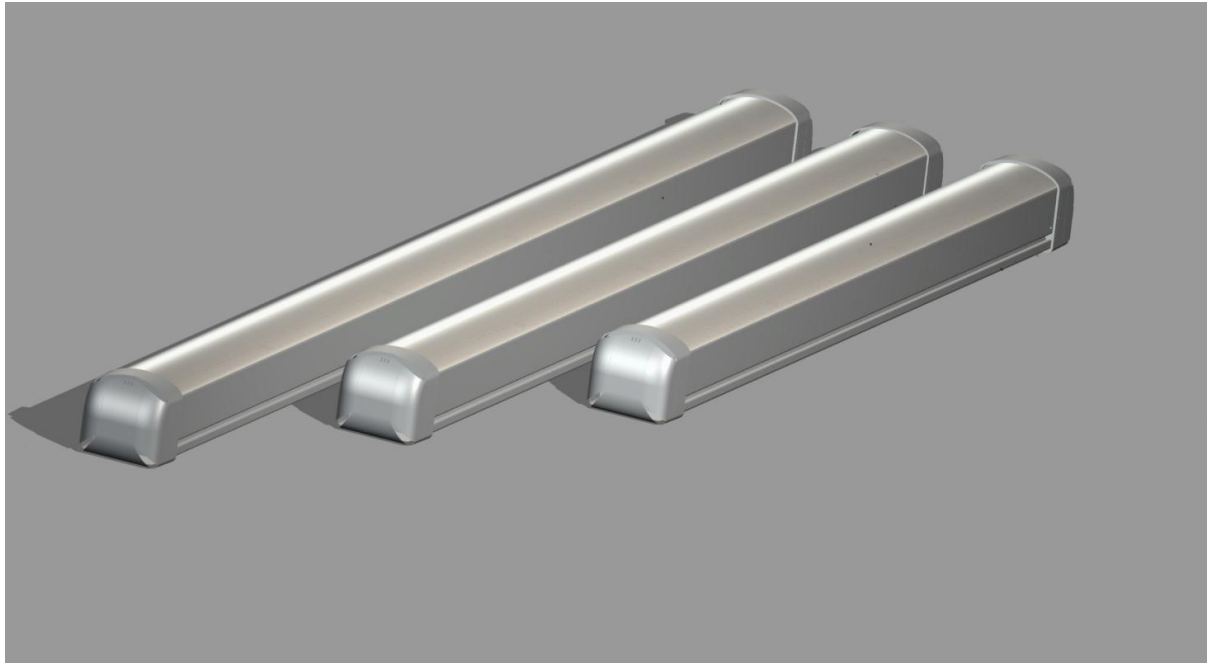


Parking Light

Parking Light 90cm



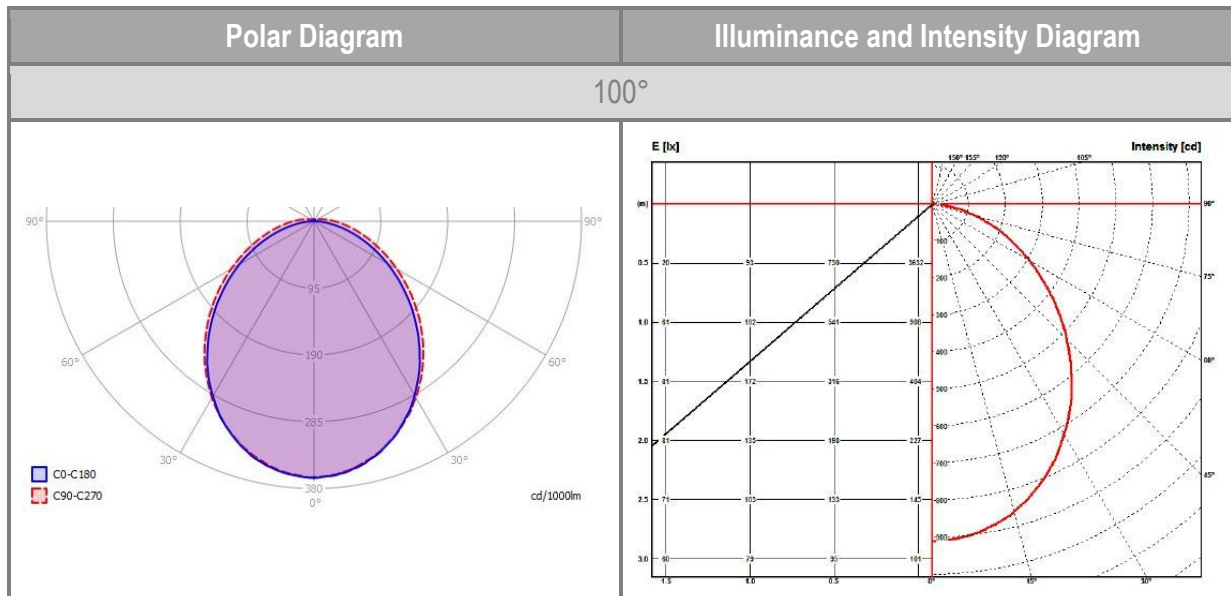
VESTEL

LED LIGHTING

PRODUCT TECHNICAL INFORMATION

| PRODUCT SPECIFICATION | | | |
|----------------------------|------------------|--------------------------|------------|
| Colour Description | Warm White | Neutral White | Cool White |
| CCT | 3000K | 4000K | 6500K |
| Luminous Flux | | 2200 lm \pm 10% | |
| Rated Power | | 16 W (+3W For Emergency) | |
| CRI | | > 80 | |
| Efficacy of Luminaire | | 137 lm/W | |
| Beam Angle of Luminaire | 100° | | |
| Dimming | N/A | | |
| Emergency | N/A | | |
| Rated Life Time | 50,000 hours | | |
| Operated Temperature | -40°C ° – +40°C | | |
| Humidity (Relative) | 85% | | |
| IP | 65 | | |
| ELECTRICAL SPECIFICATION | | | |
| Number of Power Supplies | 1 for 1 product | | |
| Input Voltage (Vac) | 220 ~ 240Vac | | |
| Output Voltage (Vdc) | 18 – 54V | | |
| Output Current (Idc) | 700mA \pm 5% | | |
| Frequency (Hz) | 50 ~ 60Hz | | |
| Operating Mode | Constant Current | | |
| Power Factor | PF > 0,8C | | |
| MECHANICAL SPECIFICATION | | | |
| Dimensions (LxWxH) | 928*97*101mm | | |
| Weight | 3 kg | | |
| Packaging Type | Outbox | | |
| Package Dimensions (LxWxH) | 114*111*972 mm | | |
| Box | B+C FLUTE | | |
| Quantity in a Box | 1 | | |

PHOTOMETRIC SPECIFICATION



UNIFIED GLARE RATIOS (UGR)

| 100° | | | | | | | | | | | |
|---------------------------------|-----|------------------|------|------|------|------|----------------|------|------|------|------|
| Ceiling reflectance | | 0.7 | 0.7 | 0.5 | 0.5 | 0.3 | 0.7 | 0.7 | 0.5 | 0.5 | 0.3 |
| Wall reflectance | | 0.5 | 0.3 | 0.5 | 0.3 | 0.3 | 0.5 | 0.3 | 0.5 | 0.3 | 0.3 |
| Floor cavity reflectance | | 0.2 | 0.2 | 0.2 | 0.2 | 0.2 | 0.2 | 0.2 | 0.2 | 0.2 | 0.2 |
| Room dimension | | Viewed crosswise | | | | | Viewed endwise | | | | |
| 2H | 2H | 16.5 | 18.1 | 16.9 | 18.5 | 18.8 | 17.3 | 18.9 | 17.7 | 19.3 | 19.7 |
| 2H | 3H | 17.8 | 19.3 | 18.3 | 19.7 | 20.1 | 19.1 | 20.5 | 19.5 | 20.9 | 21.3 |
| 2H | 4H | 18.4 | 19.7 | 18.8 | 20.1 | 20.6 | 19.9 | 21.3 | 20.4 | 21.7 | 22.1 |
| 2H | 6H | 18.8 | 20.0 | 19.2 | 20.4 | 20.9 | 20.8 | 22.0 | 21.3 | 22.5 | 22.9 |
| 2H | 8H | 18.9 | 20.1 | 19.3 | 20.5 | 21.0 | 21.2 | 22.4 | 21.7 | 22.9 | 23.3 |
| 2H | 12H | 18.9 | 20.1 | 19.4 | 20.5 | 21.0 | 21.7 | 22.9 | 22.2 | 23.3 | 23.8 |
| 4H | 2H | 17.3 | 18.7 | 17.8 | 19.1 | 19.5 | 18.0 | 19.3 | 18.4 | 19.7 | 20.1 |
| 4H | 3H | 18.8 | 20.0 | 19.3 | 20.4 | 20.9 | 19.9 | 21.1 | 20.4 | 21.5 | 22.0 |
| 4H | 4H | 19.5 | 20.6 | 20.0 | 21.0 | 21.5 | 21.0 | 22.0 | 21.5 | 22.5 | 23.0 |
| 4H | 6H | 20.0 | 20.9 | 20.5 | 21.4 | 21.9 | 22.0 | 22.9 | 22.5 | 23.4 | 23.9 |
| 4H | 8H | 20.2 | 21.0 | 20.7 | 21.5 | 22.1 | 22.5 | 23.4 | 23.1 | 23.9 | 24.4 |
| 4H | 12H | 20.3 | 21.1 | 20.8 | 21.6 | 22.2 | 23.2 | 24.0 | 23.7 | 24.5 | 25.0 |
| 8H | 4H | 20.0 | 20.9 | 20.5 | 21.4 | 21.9 | 21.3 | 22.1 | 21.8 | 22.6 | 23.2 |
| 8H | 6H | 20.7 | 21.4 | 21.2 | 21.9 | 22.5 | 22.5 | 23.2 | 23.0 | 23.8 | 24.3 |
| 8H | 8H | 21.0 | 21.7 | 21.6 | 22.2 | 22.8 | 23.3 | 23.9 | 23.8 | 24.5 | 25.0 |
| 8H | 12H | 21.2 | 21.8 | 21.8 | 22.3 | 22.9 | 24.1 | 24.6 | 24.7 | 25.2 | 25.8 |
| 12H | 4H | 20.1 | 20.9 | 20.7 | 21.4 | 22.0 | 21.3 | 22.1 | 21.8 | 22.6 | 23.2 |
| 12H | 6H | 21.0 | 21.6 | 21.5 | 22.1 | 22.7 | 22.7 | 23.3 | 23.2 | 23.9 | 24.4 |
| 12H | 8H | 21.3 | 21.9 | 21.9 | 22.4 | 23.0 | 23.5 | 24.0 | 24.0 | 24.6 | 25.1 |

DIMMING OPTION

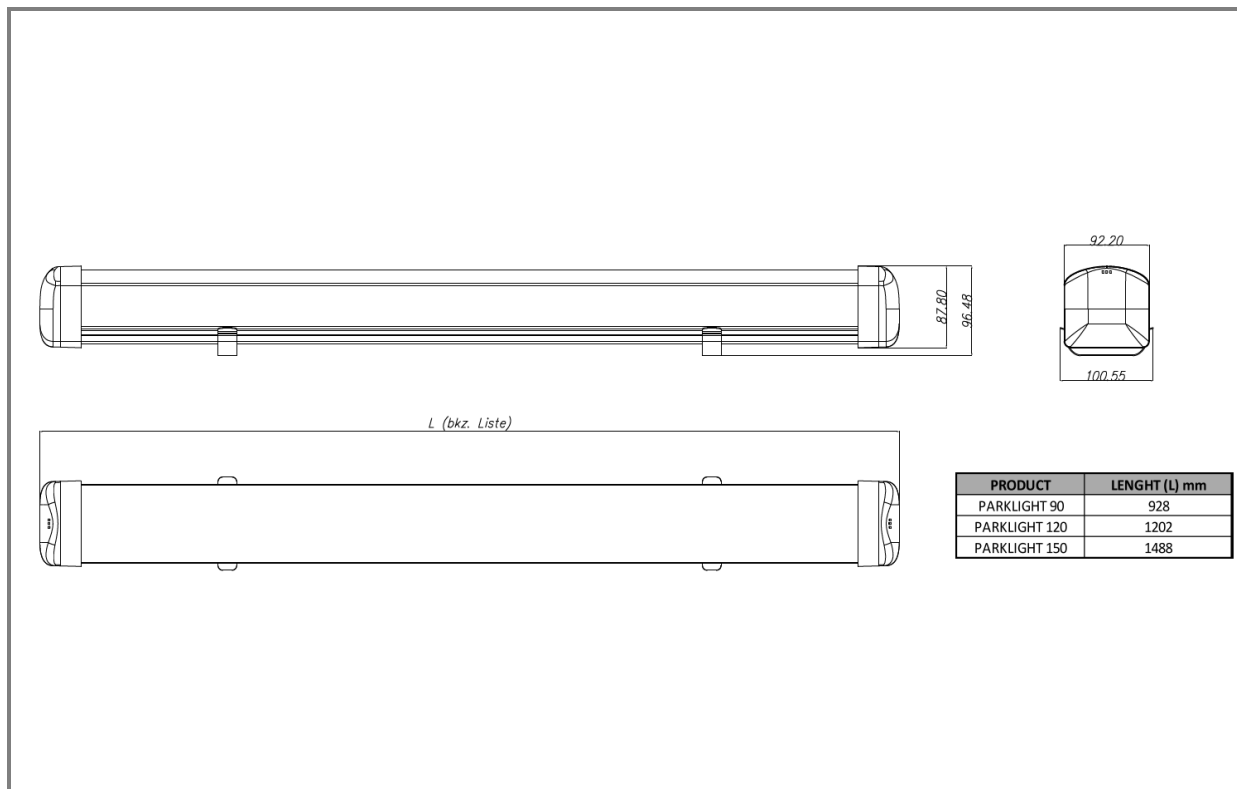
1-10V DIMMING

1-10V dimming provides analog dimming in a step-less manner. Any light level between 10% and 100% of light output, can be adjusted. This feature even enables continuous dimming with a 1-10V equipped driver.

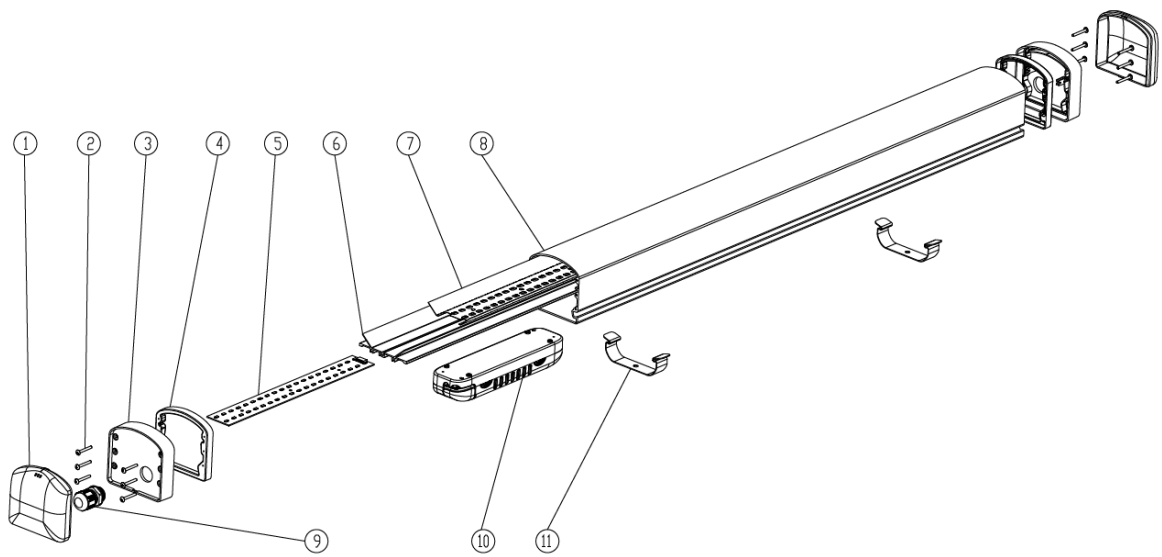
DALI DIMMING

DALI (Digital Addressable Lighting Interface) is defined under the European Standard IEC 60929. DALI has bi-directional communication, allowing control systems to query ata devices and obtain information about the status of each device.

TECHNICAL DRAWING



EXPLODED VIEW OF THE PRODUCT



1. END CAP COVER
2. END CAP SCREW
3. END CAP
4. GASKET
5. PCB
6. COOLER SLIDE BODY
7. REFLECTOR SHEET
8. ENCLOSURE
9. CABLE GLAND
10. PSU
11. MOUNT BRACKET

| CONTAINER INFORMATION | | | | |
|-----------------------|-------|----------|--------|------------------------|
| 20" FEET | | 40" FEET | | 40" FEET |
| 720 Pcs | | 1440 Pcs | | 1440 Pcs |
| PALETTE DIMENSIONS | | | | |
| LENGHT | WIDTH | HEIGHT | WEIGHT | PACKAGE ON THE PALETTE |
| 140cm | 110cm | 217cm | 250cm | 48pcs |