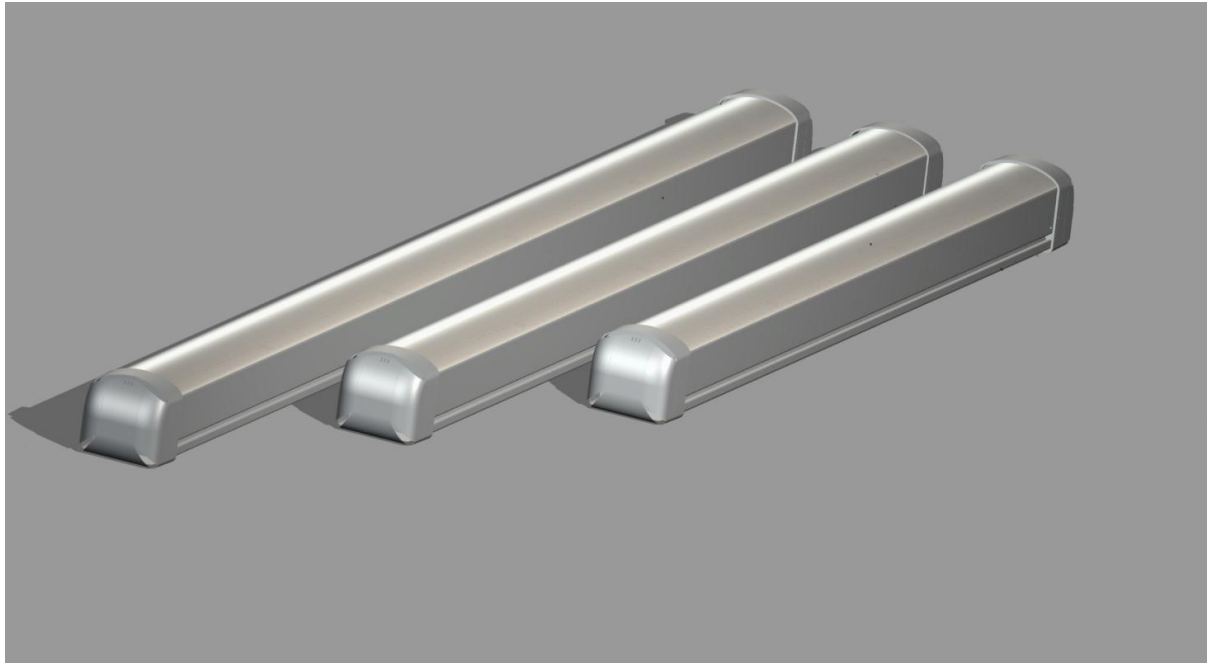


Parking Light

Parking Light 150cm 6300Lm



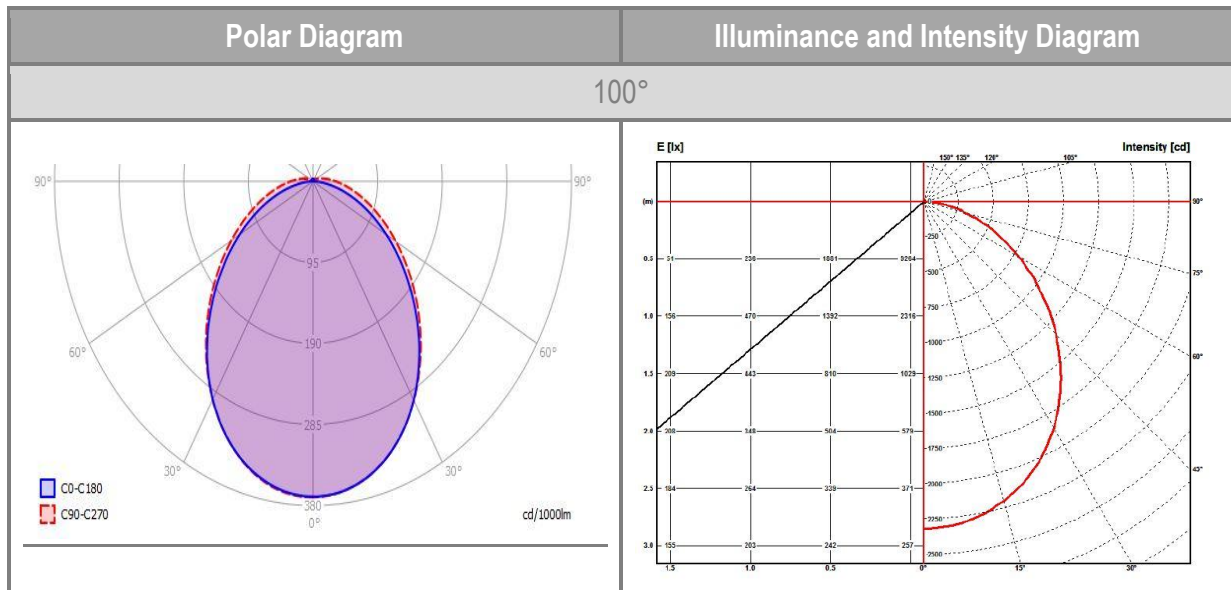
VESTEL

LED LIGHTING

PRODUCT TECHNICAL INFORMATION

PRODUCT SPECIFICATION			
Colour Description	Warm White	Neutral White	Cool White
CCT	3000K	4000K	6500K
Luminous Flux		6300 lm \pm 10%	
Rated Power		47 W (+3W For Emergency)	
CRI		> 80	
Efficacy of Luminaire		134 lm/W	
Beam Angle of Luminaire	100°		
Dimming	Optional		
Emergency	N/A		
Rated Life Time	50,000 hours		
Operated Temperature	-40°C ° – +40°C		
Humidity (Relative)	85%		
IP	65		
ELECTRICAL SPECIFICATION			
Number of Power Supplies	1 for 1 product		
Input Voltage (Vac)	220 ~ 240Vac		
Output Voltage (Vdc)	18 – 37V		
Output Current (Idc)	1200mA \pm 5%		
Frequency (Hz)	50 ~ 60Hz		
Operating Mode	Constant Current		
Power Factor	PF > 0,85		
MECHANICAL SPECIFICATION			
Dimensions (LxWxH)	1488*97*101mm		
Weight	4,5 kg		
Packaging Type	Outbox		
Package Dimensions (LxWxH)	114*111*1542 mm		
Box	B+C FLUTE		
Quantity in a Box	1		

PHOTOMETRIC SPECIFICATION



UNIFIED GLARE RATIOS (UGR)

100°											
Ceiling reflectance		0.7	0.7	0.5	0.5	0.3	0.7	0.7	0.5	0.5	0.3
Wall reflectance		0.5	0.3	0.5	0.3	0.3	0.5	0.3	0.5	0.3	0.3
Floor cavity reflectance		0.2	0.2	0.2	0.2	0.2	0.2	0.2	0.2	0.2	0.2
Room dimension		Viewed crosswise					Viewed endwise				
2H	2H	13.9	15.4	14.3	15.8	16.2	14.8	16.3	15.2	16.7	17.1
2H	3H	15.1	16.5	15.5	16.9	17.3	16.5	17.9	16.9	18.3	18.7
2H	4H	15.5	16.8	15.9	17.2	17.7	17.3	18.7	17.8	19.1	19.5
2H	6H	15.7	17.0	16.2	17.4	17.9	18.2	19.4	18.7	19.9	20.3
2H	8H	15.8	16.9	16.2	17.4	17.9	18.6	19.8	19.1	20.2	20.7
2H	12H	15.8	16.9	16.2	17.4	17.8	19.1	20.2	19.5	20.7	21.2
4H	2H	14.6	16.0	15.1	16.4	16.8	15.3	16.7	15.8	17.1	17.5
4H	3H	16.0	17.1	16.4	17.6	18.0	17.2	18.4	17.7	18.8	19.3
4H	4H	16.5	17.5	17.0	18.0	18.5	18.3	19.3	18.7	19.7	20.3
4H	6H	16.9	17.8	17.4	18.3	18.8	19.2	20.2	19.8	20.7	21.2
4H	8H	16.9	17.8	17.5	18.3	18.8	19.8	20.6	20.3	21.1	21.7
4H	12H	17.0	17.8	17.5	18.3	18.9	20.4	21.2	20.9	21.7	22.2
8H	4H	16.9	17.8	17.5	18.3	18.8	18.5	19.3	19.0	19.8	20.4
8H	6H	17.4	18.1	17.9	18.6	19.2	19.6	20.3	20.2	20.9	21.4
8H	8H	17.6	18.2	18.2	18.8	19.4	20.3	21.0	20.9	21.5	22.1
8H	12H	17.7	18.2	18.3	18.8	19.4	21.1	21.6	21.6	22.2	22.8
12H	4H	17.0	17.8	17.6	18.3	18.9	18.5	19.3	19.0	19.8	20.3
12H	6H	17.6	18.2	18.2	18.8	19.4	19.7	20.4	20.3	20.9	21.5
12H	8H	17.8	18.4	18.4	18.9	19.5	20.4	21.0	21.0	21.5	22.1

DIMMING OPTION

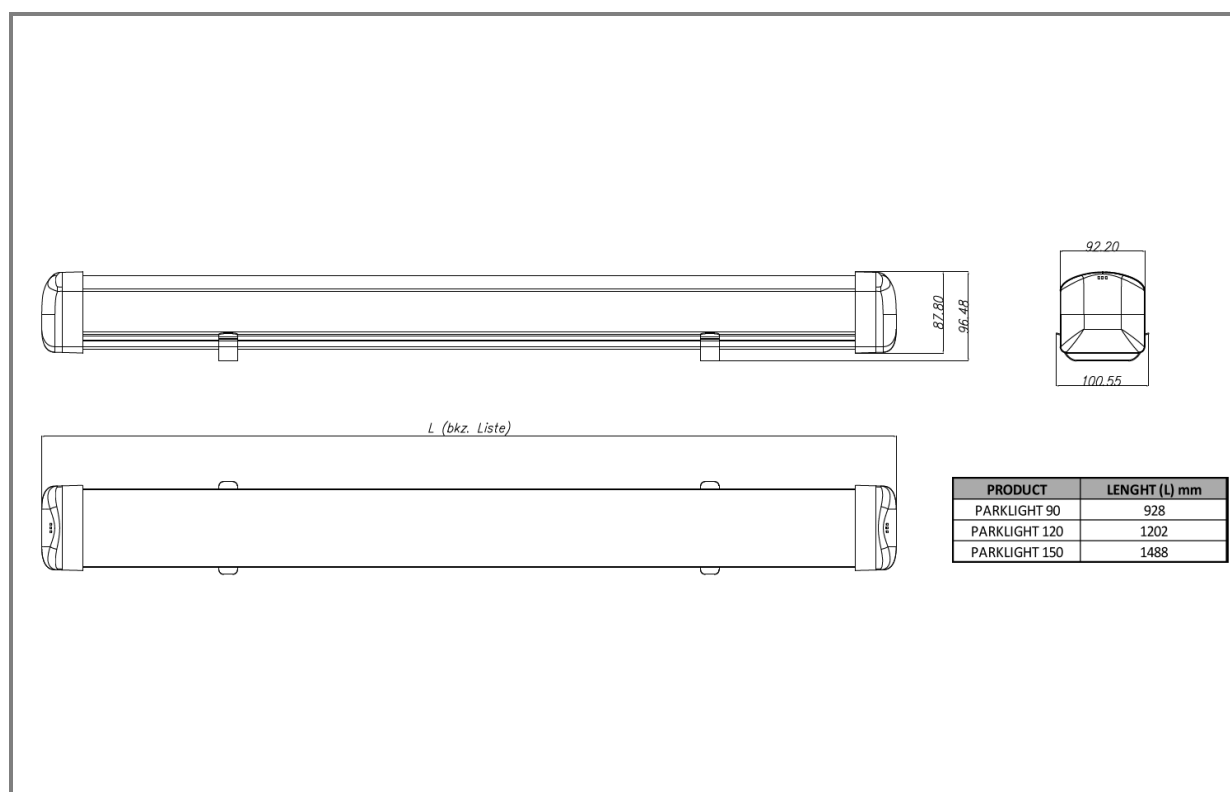
1-10V DIMMING

1-10V dimming provides analog dimming in a step-less manner. Any light level between 10% and 100% of light output, can be adjusted. This feature even enables continuous dimming with a 1-10V equipped driver.

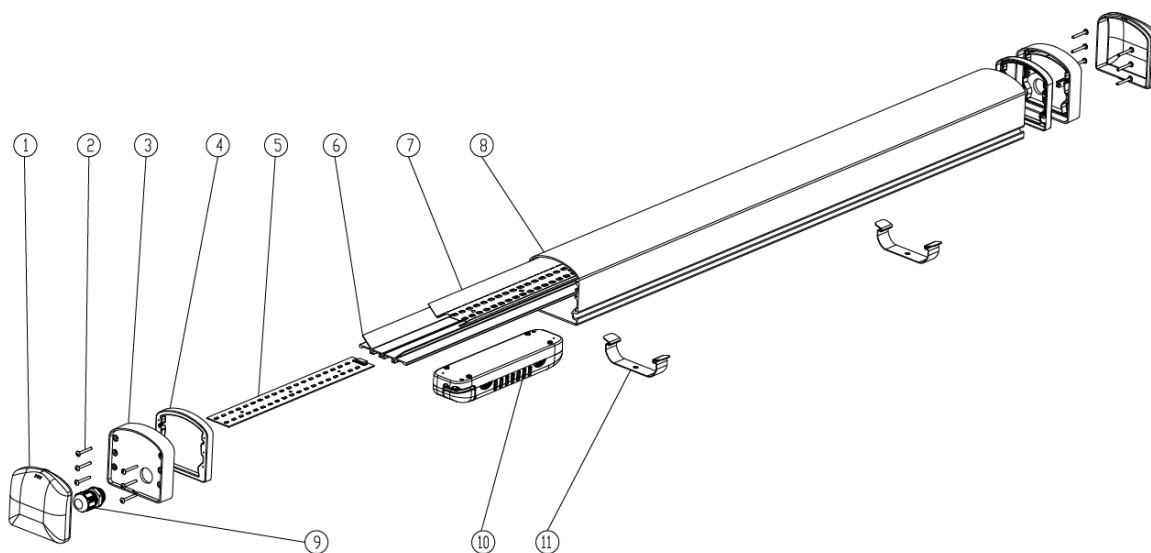
DALI DIMMING

DALI (Digital Addressable Lighting Interface) is defined under the European Standard IEC 60929. DALI has bi-directional communication, allowing control systems to query ata devices and obtain information about the status of each device.

TECHNICAL DRAWING



EXPLODED VIEW OF THE PRODUCT



1. END CAP COVER
2. END CAP SCREW
3. END CAP
4. GASKET
5. PCB
6. COOLER SLIDE BODY
7. REFLECTOR SHEET
8. ENCLOSURE
9. CABLE GLAND
10. PSU
11. MOUNT BRACKET

CONTAINER INFORMATION				
20" FEET		40" FEET		40" FEET
420 Pcs		840 Pcs		840 Pcs
PALETTE DIMENSIONS				
LENGHT	WIDTH	HEIGHT	WEIGHT	PACKAGE ON THE PALETTE
166cm	115cm	170cm	-	60pcs