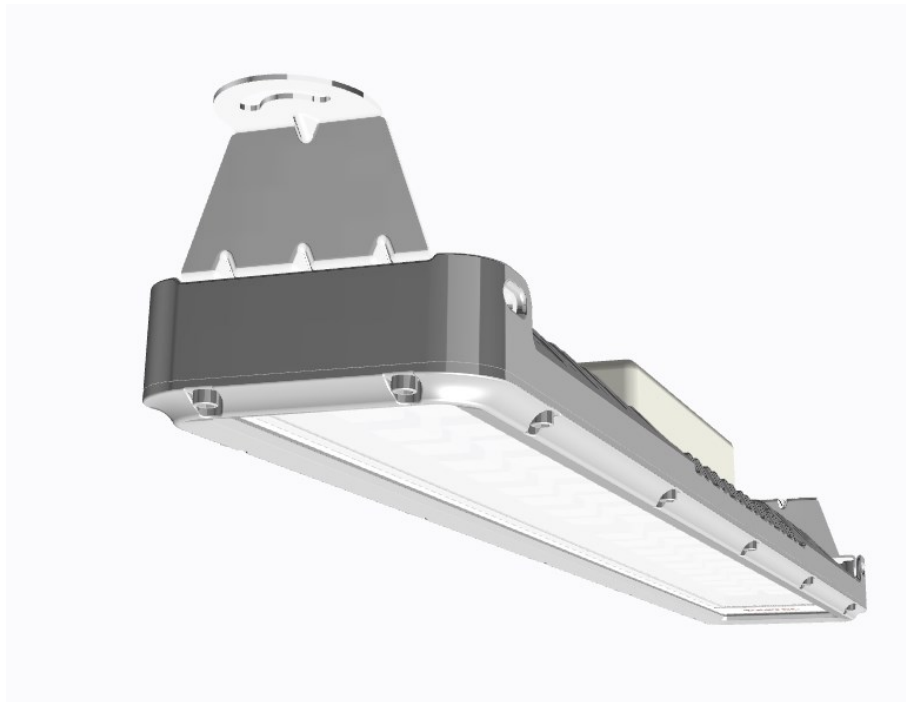


MIDBAY

Midbay 65W 70CRI



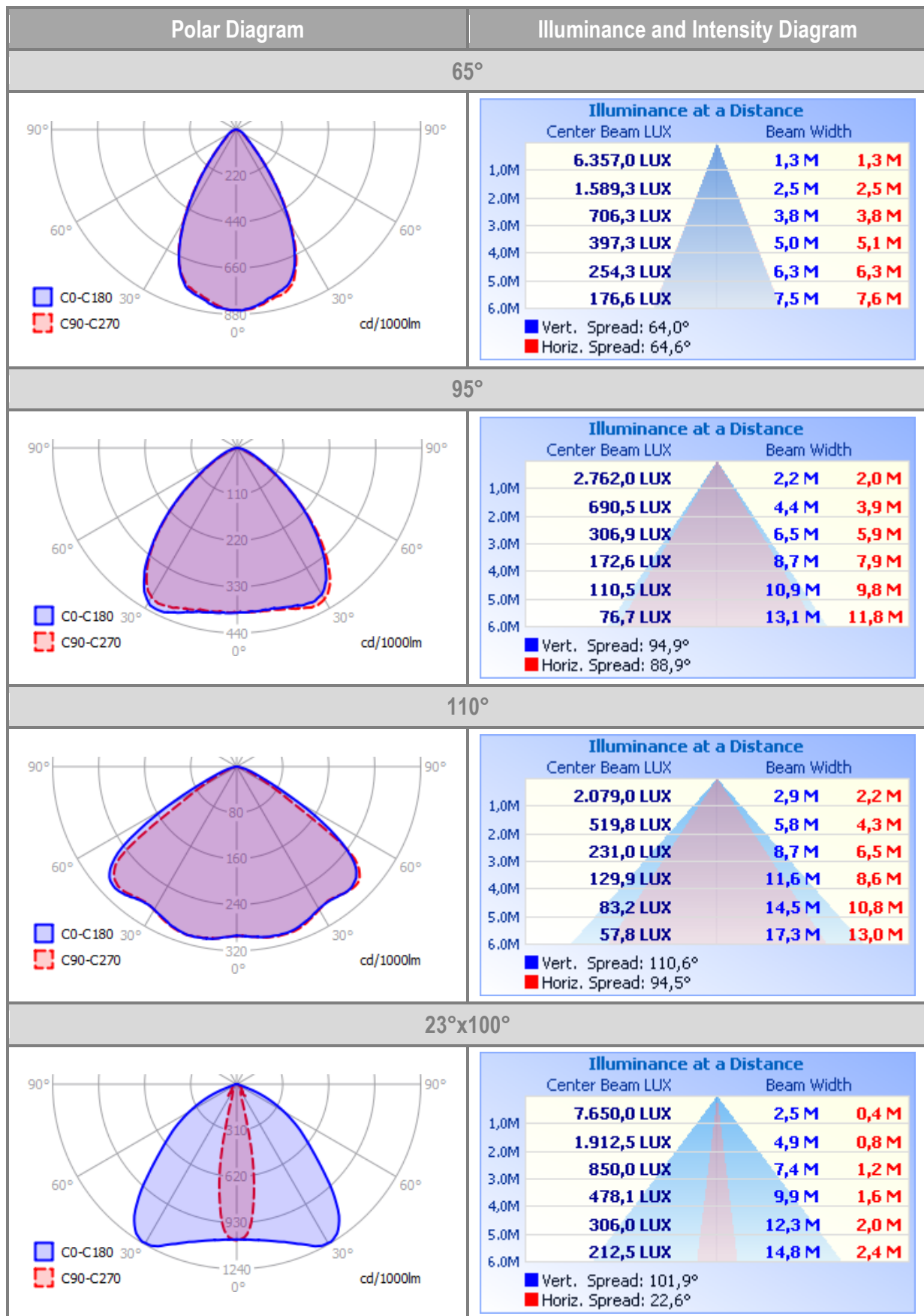
VESTEL

LED LIGHTING

PRODUCT TECHNICAL INFORMATION

PRODUCT SPECIFICATION			
Colour Description		Neutral White	Cool White
CCT		4000K	6500K
Luminous Flux		8000 lm \pm 10%	8000 lm \pm 10%
Rated Power		65W	65W
CRI		\geq 70	\geq 70
Efficacy		123 lm/W	123 lm/W
Beam Angle	65° / 95° / 110° / 23°x100°		
Unified Glare Ratio (UGR)	\leq 24 for 65° \leq 28 for 95° \leq 30 for 110°	\leq 23 for 23°x100° [crosswise] \leq 32 for 23°x100° [endwise]	
Dimming	Optional (1-10V)		
Emergency	N/A		
Rated Life Time	60,000 hours		
Operated Temperature	-40°C ° – +40°C		
Humidity (Relative)	85%		
IP	65		
ELECTRICAL SPECIFICATION			
Number of Power Supplies	1 for 1 product		
Input Voltage (Vac)	220 ~ 240Vac		
Output Voltage (Vdc)	24 – 72V		
Output Current (Idc)	1050mA \pm 5%		
Frequency (Hz)	50 ~ 60Hz		
Operating Mode	Constant Current		
Power Factor	PF > 0,90		
MECHANICAL SPECIFICATION			
Dimensions (LxWxH)	670*111*71mm		
Weight	4.25 kg		
Packaging Type	Outbox		
Package Dimensions (LxWxH)	690*120*80 mm		
Box	CP DOPEL WAVE		
Quantity in a Box	1		

PHOTOMETRIC SPECIFICATION



DIMMING OPTION

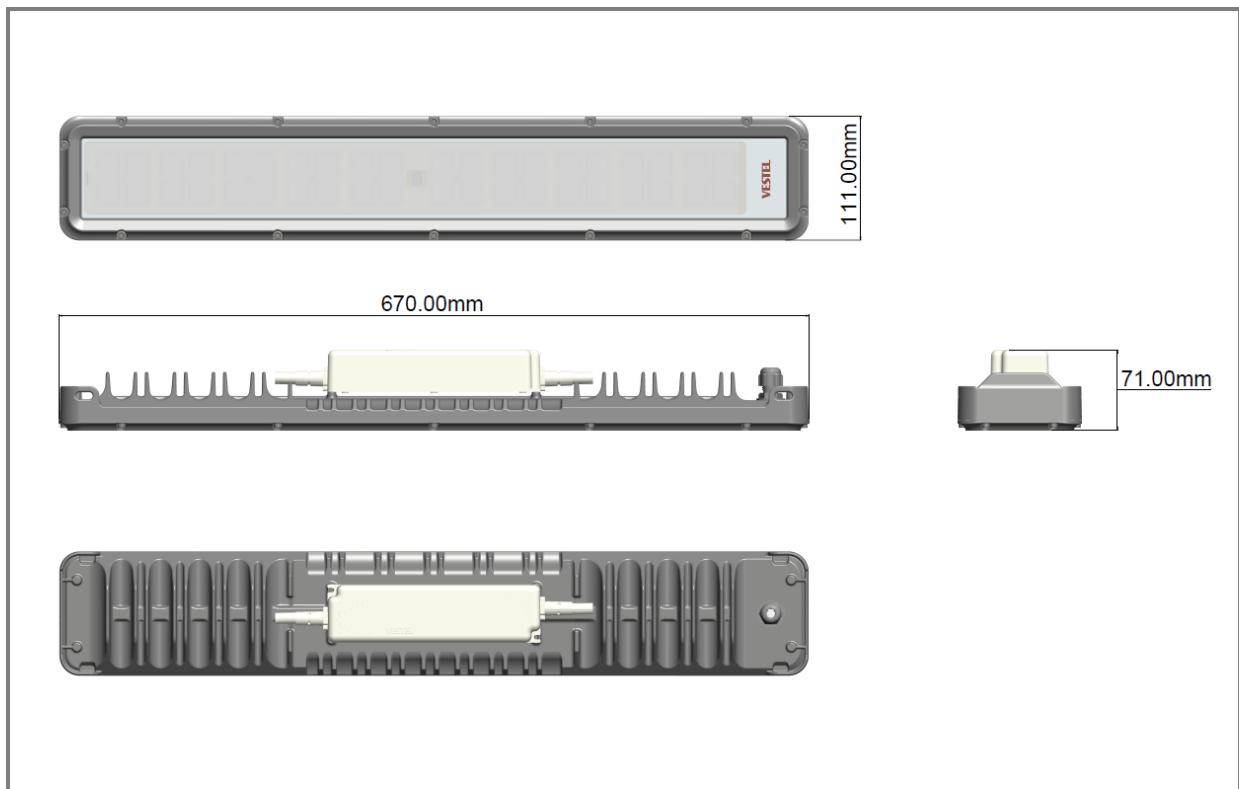
1-10V DIMMING

1-10V dimming provides analog dimming in a step-less manner. Any light level between 10% and 100% of light output, can be adjusted. This feature even enables continuous dimming with a 1-10V equipped driver.

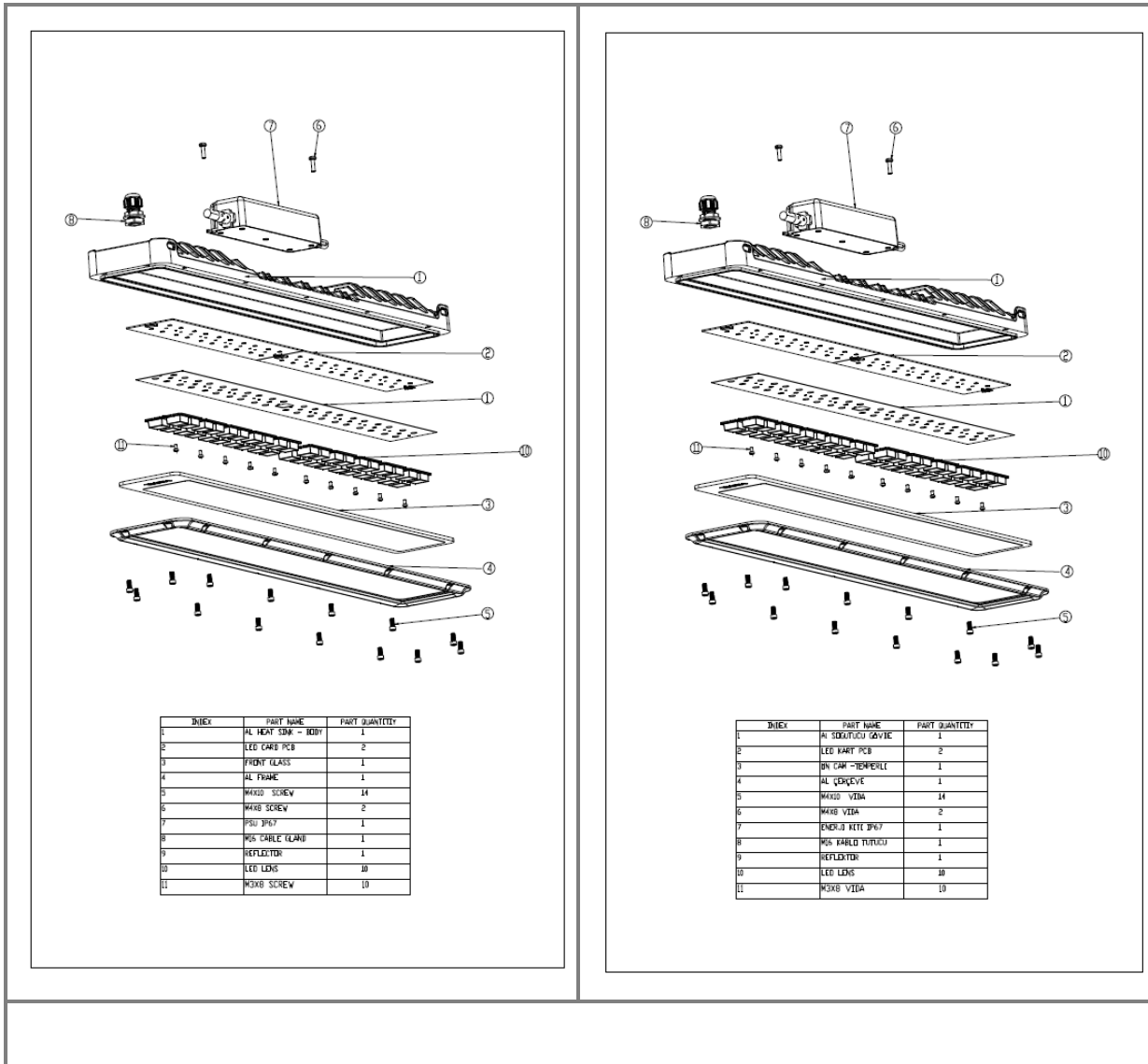
DALI DIMMING

DALI (Digital Addressable Lighting Interface) is defined under the European Standard IEC 60929. DALI has bi-directional communication, allowing control systems to query ata devices and obtain information about the status of each device.

TECHNICAL DRAWING



EXPLODED VIEW OF THE PRODUCT



CONTAINER INFORMATION				
20" FEET		40" FEET		40" FEET
PALETTE DIMENSIONS				
LENGHT	WIDTH	HEIGHT	WEIGHT	PACKAGE ON THE PALETTE