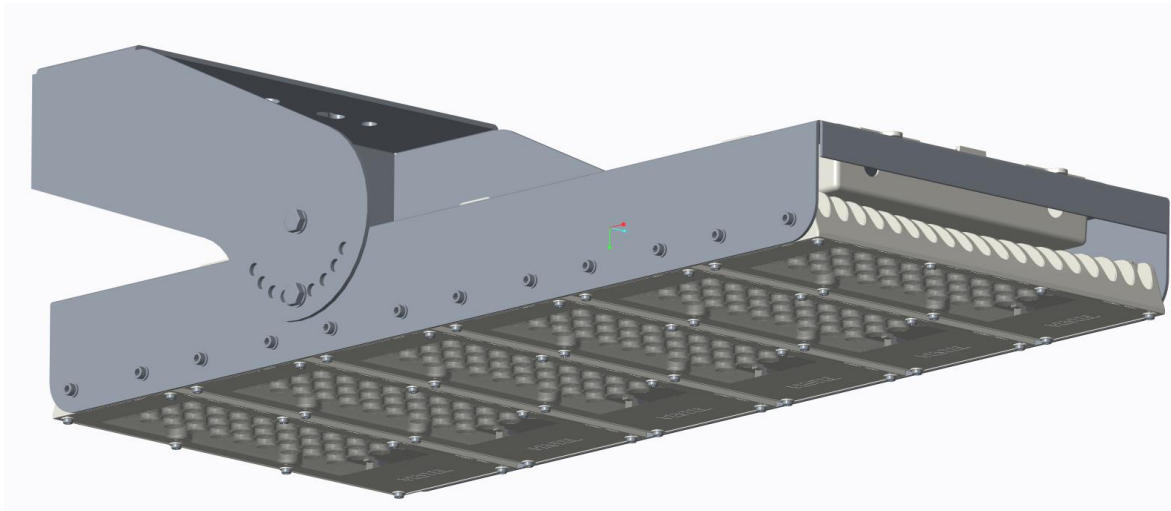


# APRON



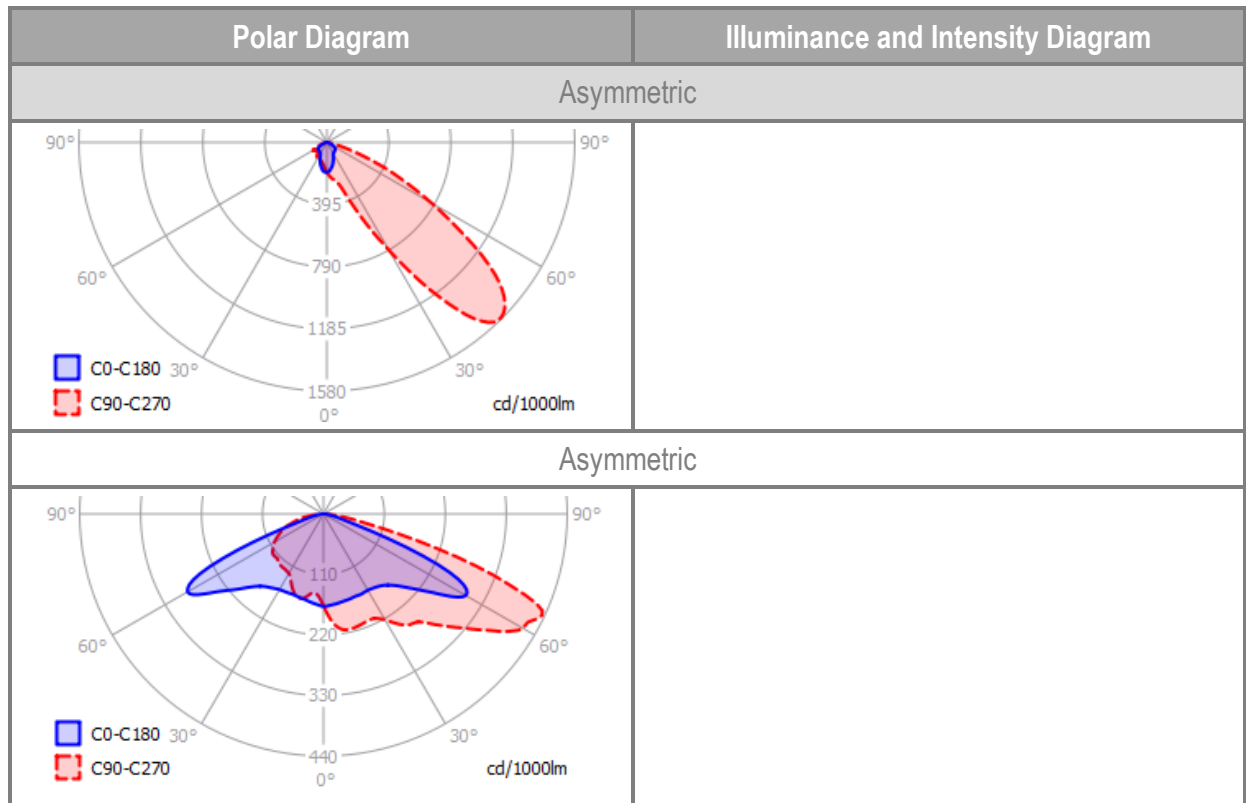
# VESTEL

LED LIGHTING

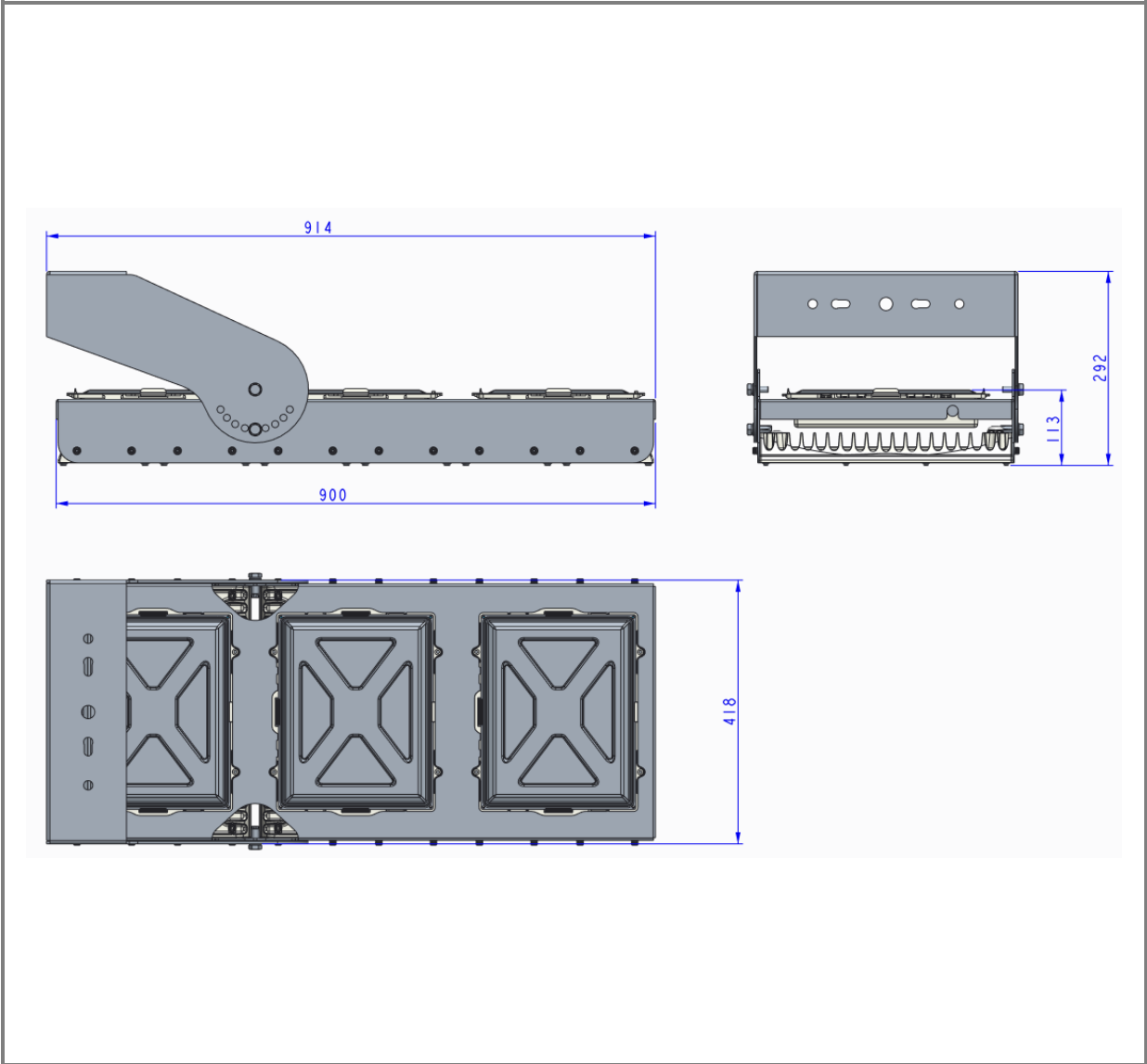
## PRODUCT TECHNICAL INFORMATION

PRODUCT SPECIFICATION			
Colour Description	Warm White	Neutral White	Cool White
CCT	3000K	4000K	6500K
Luminous Flux		52.000 lm $\pm$ 10%	
Rated Power		420W	
CRI		$\geq$ 70	
Efficacy of Luminaire		123 lm/W	
Beam Angle of Luminaire	Asymmetric		
Dimming	Optional		
Emergency	N/A		
Flicker Free	Optional		
Rated Life Time (L70)	50,000 hours		
Operated Temperature	-40°C – +40°C		
Humidity (Relative)	85%		
IP	IP66		
IK	IK08		
ELECTRICAL SPECIFICATION			
Number of Power Supplies	3 for 1 product		
Input Voltage (Vac)	220 ~ 240Vac		
Output Voltage (Vdc)	100-140Vdc		
Output Current (Idc)	1100mA $\pm$ 5%		
Frequency (Hz)	50 ~ 60Hz		
Operating Mode	Constant Current		
Power Factor	PF > 0,90		
MECHANICAL SPECIFICATION			
Dimensions (LxWxH)	914*418*292mm (with Bracket)		
Weight	33kg (with Bracket)		
Packaging Type	OUT BOX		
Package Dimensions (LxWxH)	1095*510*280		
Box	BC FLUTE A BOX		
Quantity in a Box	1		

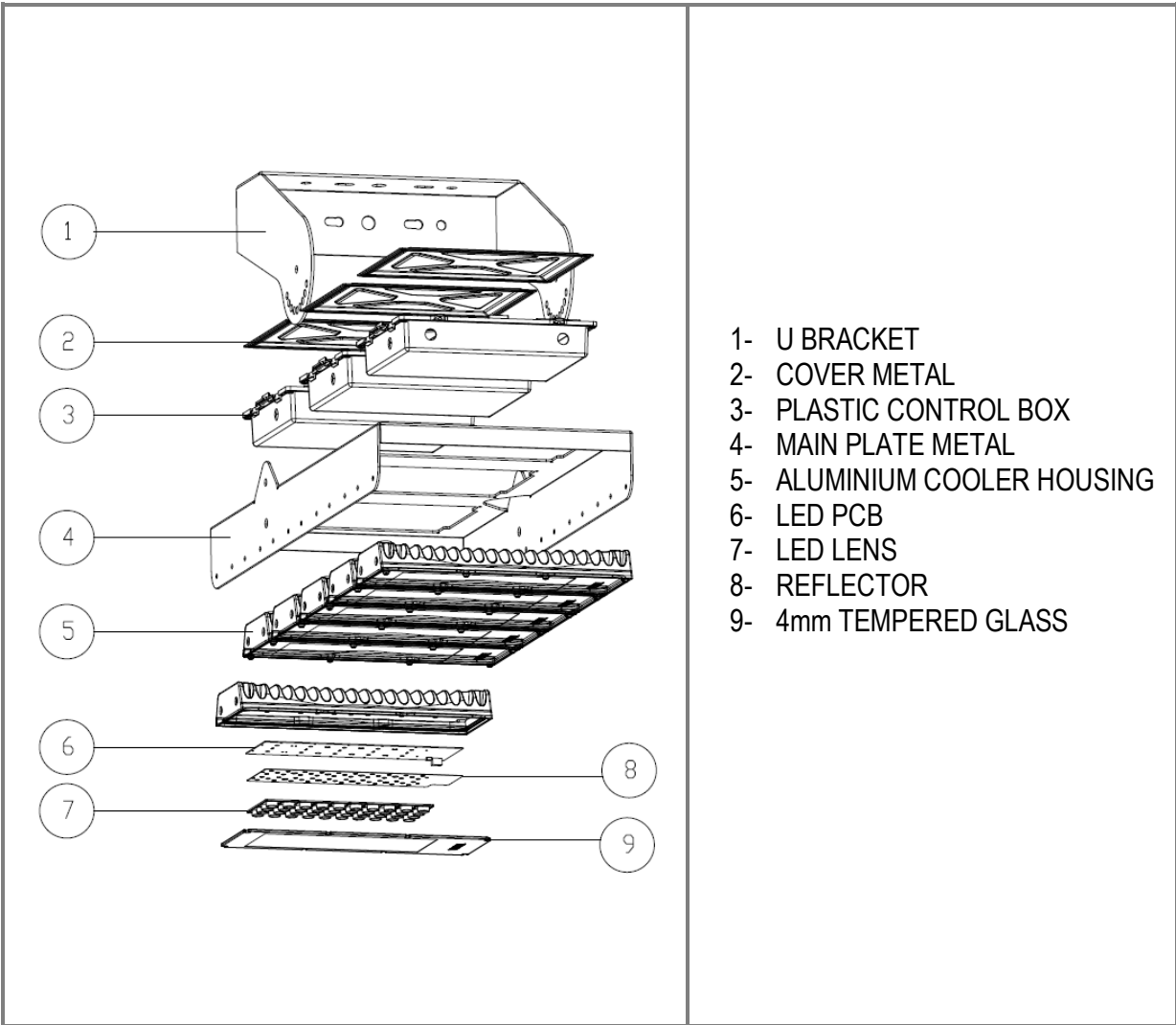
# PHOTOMETRIC SPECIFICATION



TECHNICAL DRAWING



EXPLODED VIEW OF THE PRODUCT



CONTAINER INFORMATION				
20" FEET		40" FEET		40" FEET
PALETTE DIMENSIONS				
LENGHT	WIDTH	HEIGHT	WEIGHT	PACKAGE ON THE PALETTE