

STREET LIGHT



Explode State: EXF0001 (+)

VESTEL

LED LIGHTING

PRODUCT TECHNICAL INFORMATION SARDES S5-35

PRODUCT SPECIFICATION			
Colour Description	Warm White	Neutral White	Cool White
CCT		4000K	
Luminous Flux		4025 lm \pm 10%	
Rated Power		35W	
CRI		> 70	
Efficacy of Luminaire		115 lm/W	
Beam Angle of Luminaire	Asymmetric		
Flicker Free	Optional		
Rated Life Time (L70)	100,000 hours		
Operated Temperature	-40° - +50°C		
IP	IP66		
IK	IK08		
Dimming (Optional)	1-10V Dimming Autodimming Half Night Switch (HNS) Wireless		
ELECTRICAL SPECIFICATION			
Number of Power Supplies	1 for 1 product		
Input Voltage (Vac)	220 ~ 240Vac		
Output Voltage (Vdc)	18-36V		
Output Current (Idc)	1050mA		
Frequency (Hz)	50 ~ 60Hz		
Operating Mode	Constant Current		
Power Factor	PF > 0,90		
MECHANICAL SPECIFICATION			
Dimensions (LxWxH)	340x645x178		
Weight	6.5 KG		
Packaging Type	A BOX		
Package Dimensions (LxWxH)	655x350x190		
Box	A BOX		
Quantity in a Box	<u>1</u>		

PRODUCT TECHNICAL INFORMATION SARDES S5-24

PRODUCT SPECIFICATION			
Colour Description	Warm White	Neutral White	Cool White
CCT		4000K	
Luminous Flux		2800 lm \pm 10%	
Rated Power		24W	
CRI		> 70	
Efficacy of Luminaire		116 lm/W	
Beam Angle of Luminaire	Asymmetric		
Flicker Free	Optional		
Rated Life Time (L70)	100,000 hours		
Operated Temperature	-40° - +50°C		
IP	IP66		
IK	IK08		
Dimming (Optional)	1-10V Dimming Autodimming Half Night Switch (HNS) Wireless		
ELECTRICAL SPECIFICATION			
Number of Power Supplies	1 for 1 product		
Input Voltage (Vac)	220 ~ 240Vac		
Output Voltage (Vdc)	50-70V		
Output Current (Idc)	350mA		
Frequency (Hz)	50 ~ 60Hz		
Operating Mode	Constant Current		
Power Factor	PF > 0,90		
MECHANICAL SPECIFICATION			
Dimensions (LxWxH)	340x645x178		
Weight	6.5 KG		
Packaging Type	A BOX		
Package Dimensions (LxWxH)	655x350x190		
Box	A BOX		
Quantity in a Box	<u>1</u>		

PRODUCT TECHNICAL INFORMATION DRAFT_SARDES S5-35

PRODUCT SPECIFICATION			
Colour Description	Warm White	Neutral White	Cool White
CCT		4000K	
Luminous Flux		4025 lm \pm 10%	
Rated Power		35W	
CRI		> 70	
Efficacy of Luminaire		115 lm/W	
Beam Angle of Luminaire	Asymmetric		
Flicker Free	Optional		
Rated Life Time (L70)	100,000 hours		
Operated Temperature	-40° - +50°C		
IP	IP66		
IK	IK08		
Dimming (Optional)	1-10V Dimming Autodimming Half Night Switch (HNS) Wireless		
ELECTRICAL SPECIFICATION			
Number of Power Supplies	1 for 1 product		
Input Voltage (Vac)	220 ~ 240Vac		
Output Voltage (Vdc)	18-36V		
Output Current (Idc)	1050mA		
Frequency (Hz)	50 ~ 60Hz		
Operating Mode	Constant Current		
Power Factor	PF > 0,90		
MECHANICAL SPECIFICATION			
Dimensions (LxWxH)	340x645x178		
Weight	6.5 KG		
Packaging Type	A BOX		
Package Dimensions (LxWxH)	655x350x190		
Box	A BOX		
Quantity in a Box	<u>1</u>		

PRODUCT TECHNICAL INFORMATION SARDES S5H-50

PRODUCT SPECIFICATION			
Colour Description	Warm White	Neutral White	Cool White
CCT		4000K	
Luminous Flux		6600 lm \pm 10%	
Rated Power		50.5W	
CRI		> 70	
Efficacy of Luminaire		130 lm/W	
Beam Angle of Luminaire	Asymmetric		
Flicker Free	Optional		
Rated Life Time (L70)	100,000 hours		
Operated Temperature	-40° - +50°C		
IP	IP66		
IK	IK08		
Dimming (Optional)	1-10V Dimming Autodimming Half Night Switch (HNS) Wireless		
ELECTRICAL SPECIFICATION			
Number of Power Supplies	1 for 1 product		
Input Voltage (Vac)	220 ~ 240Vac		
Output Voltage (Vdc)	18 – 36V		
Output Current (Idc)	1600mA \pm 5%		
Frequency (Hz)	50 ~ 60Hz		
Operating Mode	Constant Current		
Power Factor	PF > 0,90		
MECHANICAL SPECIFICATION			
Dimensions (LxWxH)	340x645x178		
Weight	6.5 KG		
Packaging Type	A BOX		
Package Dimensions (LxWxH)	655x350x190		
Box	A BOX		
Quantity in a Box	<u>1</u>		

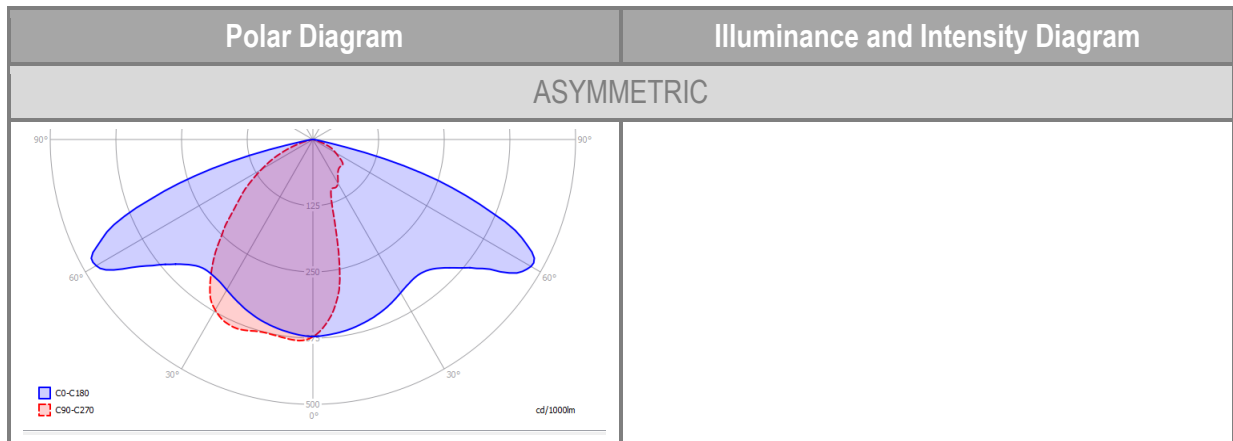
PRODUCT TECHNICAL INFORMATION SARDES S3-78

PRODUCT SPECIFICATION			
Colour Description	Warm White	Neutral White	Cool White
CCT		4000K	
Luminous Flux		9000 lm \pm 10%	
Rated Power		78W	
CRI		> 70	
Efficacy of Luminaire		115 lm/W	
Beam Angle of Luminaire	Asymmetric		
Flicker Free	Optional		
Rated Life Time (L70)	100,000 hours		
Operated Temperature	-40° - +50°C		
IP	IP66		
IK	IK08		
Dimming (Optional)	1-10V Dimming Autodimming Half Night Switch (HNS) Wireless		
ELECTRICAL SPECIFICATION			
Number of Power Supplies	1 for 1 product		
Input Voltage (Vac)	220 ~ 240Vac		
Output Voltage (Vdc)	25-38V		
Output Current (Idc)	1900mA		
Frequency (Hz)	50 ~ 60Hz		
Operating Mode	Constant Current		
Power Factor	PF > 0,90		
MECHANICAL SPECIFICATION			
Dimensions (LxWxH)	729.6x301x136 MM		
Weight	7.8 KG		
Packaging Type	BC WAVE CRAFT		
Package Dimensions (LxWxH)	790x350x195 MM		
Box	A BOX		
Quantity in a Box	1		

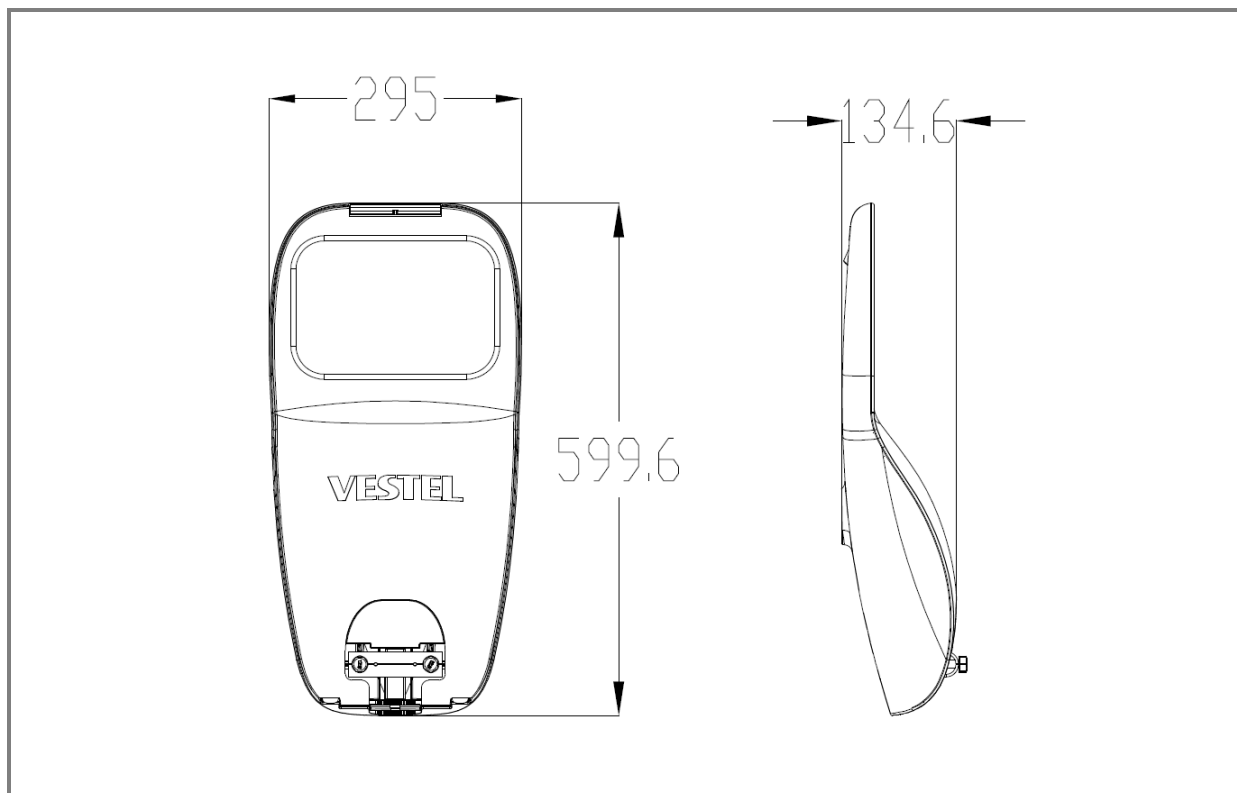
PRODUCT TECHNICAL INFORMATION SARDES S3-82

PRODUCT SPECIFICATION			
Colour Description	Warm White	Neutral White	Cool White
CCT		4000K	
Luminous Flux		9500 lm \pm 10%	
Rated Power		82W	
CRI		> 70	
Efficacy of Luminaire		115 lm/W	
Beam Angle of Luminaire	Asymmetric		
Flicker Free	Optional		
Rated Life Time (L70)	100,000 hours		
Operated Temperature	-40° - +50°C		
IP	IP66		
IK	IK08		
Dimming (Optional)	1-10V Dimming Autodimming Half Night Switch (HNS) Wireless		
ELECTRICAL SPECIFICATION			
Number of Power Supplies	1 for 1 product		
Input Voltage (Vac)	220 ~ 240Vac		
Output Voltage (Vdc)	22-36V		
Output Current (Idc)	2100mA		
Frequency (Hz)	50 ~ 60Hz		
Operating Mode	Constant Current		
Power Factor	PF > 0,90		
MECHANICAL SPECIFICATION			
Dimensions (LxWxH)	729.6x301x136 MM		
Weight	7.8 KG		
Packaging Type	BC WAVE CRAFT		
Package Dimensions (LxWxH)	790x350x195 MM		
Box	A BOX		
Quantity in a Box	1		

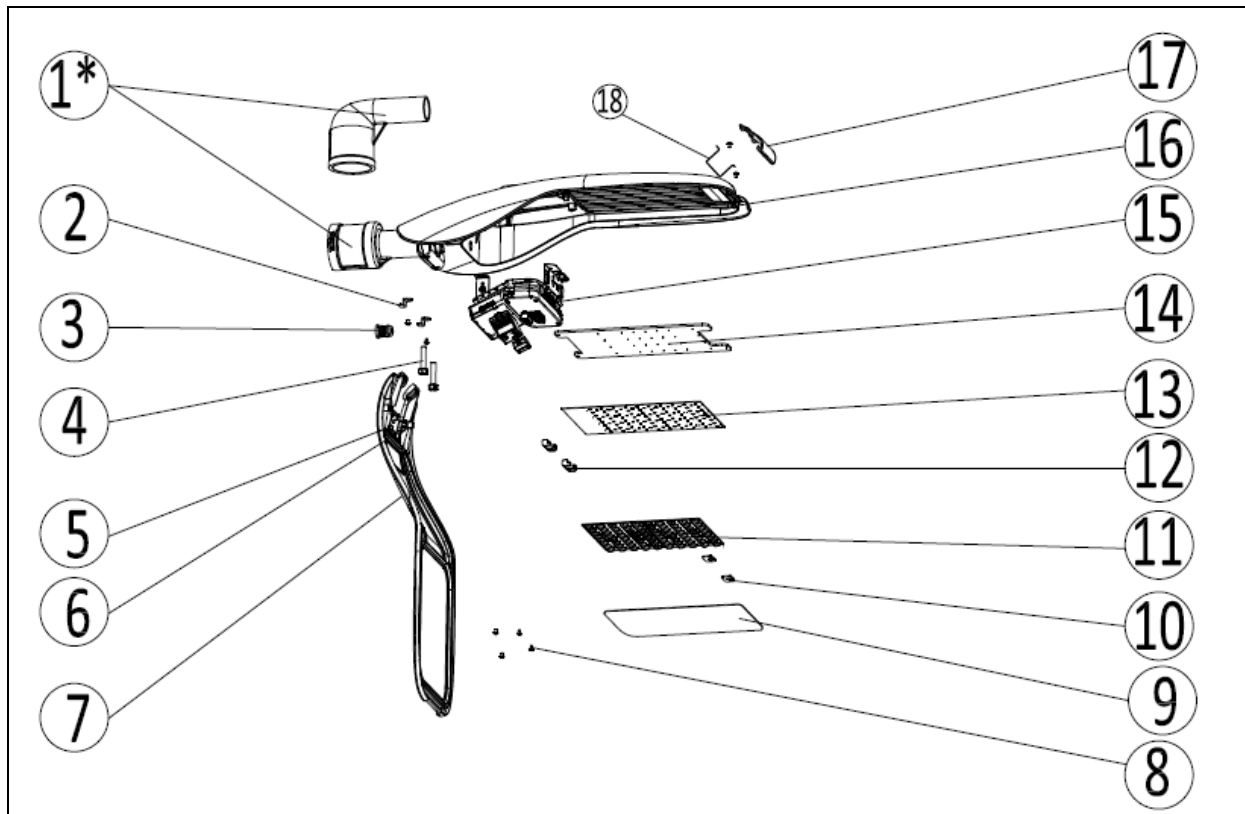
PHOTOMETRIC SPECIFICATION



TECHNICAL DRAWING



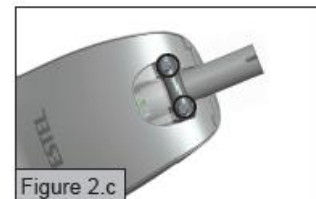
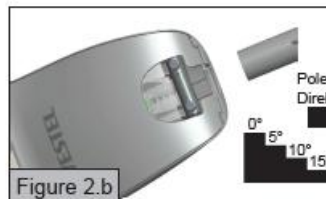
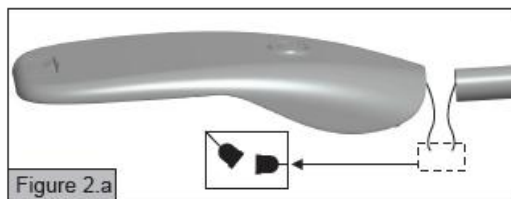
EXPLODED VIEW OF THE PRODUCT



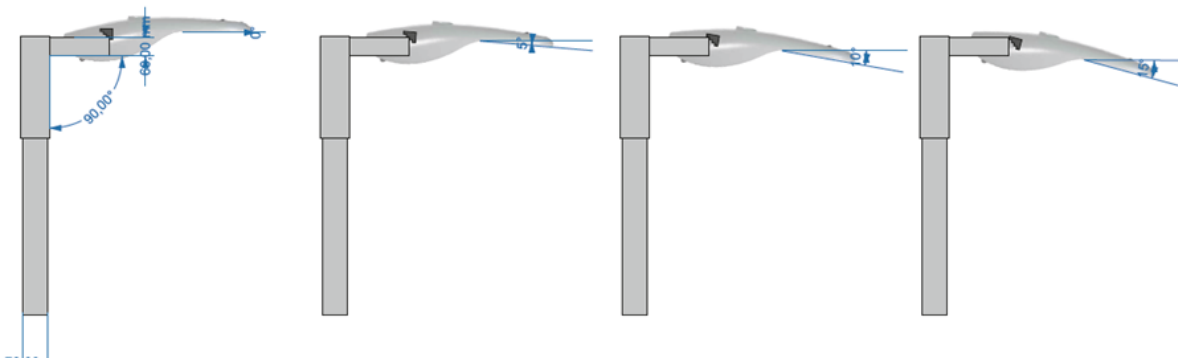
NO	DEFINITION	PIECE
1	POLE HOLDER (OPSIYONEL)	1
2	BOTTOM FIXING BRACKET	2
3	METAL RAKOR	1
4	SCREW M10X50 8.8 720H	2
5	BOTTOM CAPS PLASTIK	1
6	SPRIT LEVEL	1
7	BOTTOM AL ROAD (RAL 7040)	1
8	SCREW M3X6.5 TAPTITE ROHS	20
9	GLASS LED TEMPERED	1
10	PCP METAL FIXING BRACKET	2
11	LED LIGHTING LENS	20
12	PLASTIC CLIPS	2
13	PCB 001	1
14	PCB PLATE	1
15	POWER SUPPLY	1
16	TOP AL ROAD (RAL 7040)	1
17	METAL CLIPS	1
18	CLIPS WIRE ROADLIGHT	1

MOUNTING OPTIONS OF SARDES:

- Luminaire can be mounted to pole which ,have 35mm-60mm diameter, with pole fixing bracket by no need a pole holder. For 60-76 mm diameter poles; the luminaires can be mounted with an addition adaptor by top position or horizontal position. We can supply the adaptors.



- The luminaire can be mounted with from 0° to -15° angle .



CONTAINER INFORMATION				
20" FEET		40" FEET		40" FEET
210		420		420
PALETTE DIMENSIONS				
LENGHT	WIDTH	HEIGHT	WEIGHT	PACKAGE ON THE PALETTE
166 CM	115 CM	160 CM	260 KG	40