

8" LC DOWNLIGHT

8" LC Downlight



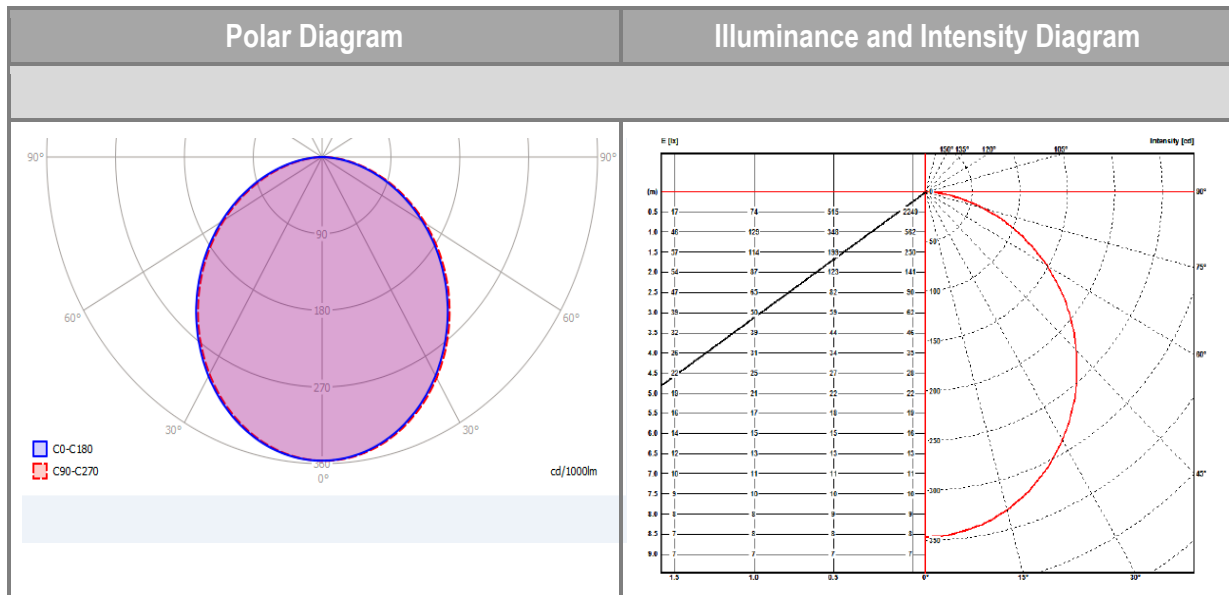
VESTEL

LED LIGHTING

PRODUCT TECHNICAL INFORMATION

PRODUCT SPECIFICATION			
Colour Description	Warm White	Neutral White	Cool White
CCT	3000K	4000K	6500K
Luminous Flux		1900 lm \pm 15%	
Rated Power	19W [25W (W/EMG)]	19W [25W (W/EMG)]	19W [25W (W/EMG)]
CRI	> 80	> 80	> 80
Efficacy of Luminaire		100 lm/W	
Beam Angle of Luminaire	110°		
Dimming	Optional		
Emergency	Optional		
Rated Life Time	35,000 hours		
Operated Temperature	0°C ° – +40°C		
Humidity (Relative)	20-90%		
ELECTRICAL SPECIFICATION			
Number of Power Supplies	1 for 1 product		
Input Voltage (Vac)	220 ~ 240Vac		
Output Voltage (Vdc)	21-40V		
Output Current (Idc)	450mA \pm 5%		
Frequency (Hz)	50 ~ 60Hz		
Operating Mode	Constant Current		
Power Factor			
MECHANICAL SPECIFICATION			
Dimensions (LxWxH)	Ø222.5mm x 75.5mm		
Weight	1100 gr.		
Packaging Type	ACCS. BOX		
Package Dimensions (LxWxH)	290mm x 290mm x 145mm		
Box	-		
Quantity in a Box	<u>1</u>		

PHOTOMETRIC SPECIFICATION



UNIFIED GLARE RATIOS (UGR)

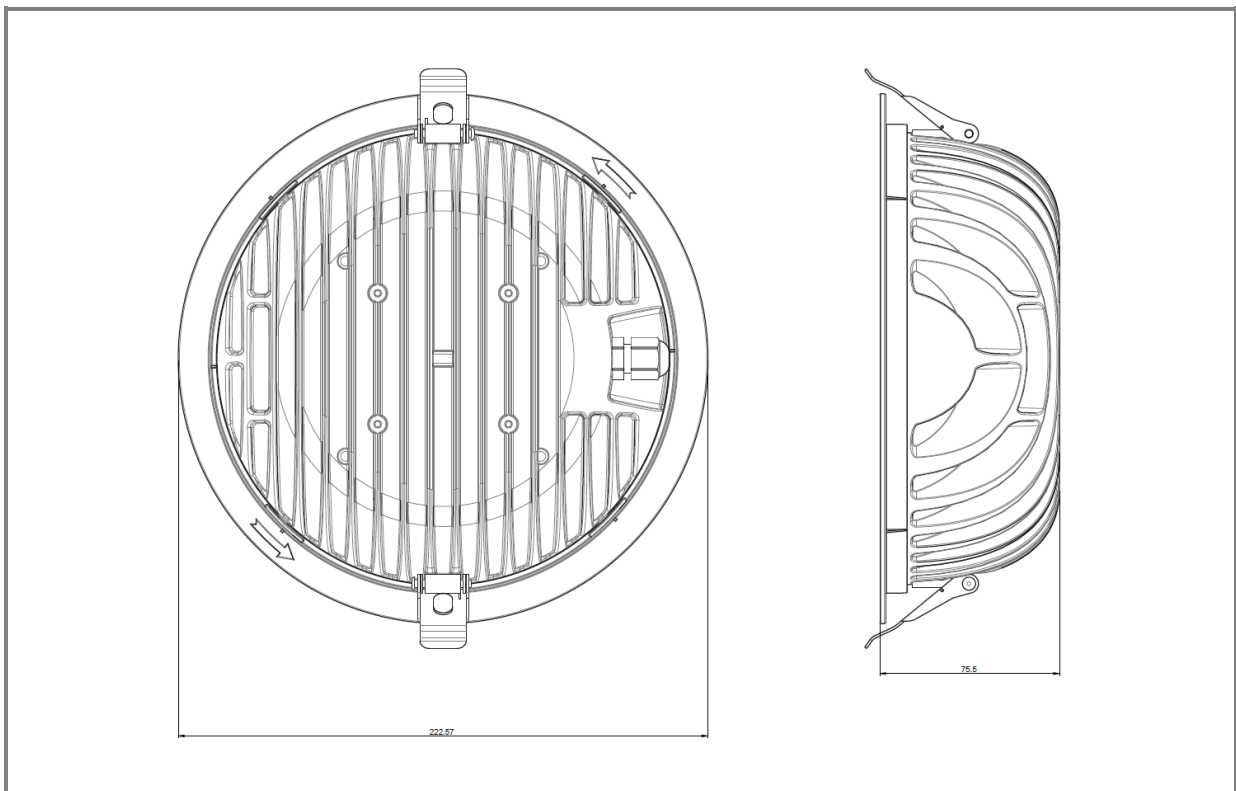
UNIFIED GLARE RATIOS (UGR)											
Ceiling reflectance		0.7	0.7	0.5	0.5	0.3	0.7	0.7	0.5	0.5	0.3
Wall reflectance		0.5	0.3	0.5	0.3	0.3	0.5	0.3	0.5	0.3	0.3
Floor cavity reflectance		0.2	0.2	0.2	0.2	0.2	0.2	0.2	0.2	0.2	0.2
Room dimension		Viewed crosswise					Viewed endwise				
2H	2H	18.2	19.8	18.6	20.1	20.4	18.0	19.6	18.4	19.9	20.3
2H	3H	19.5	20.9	19.8	21.3	21.6	19.1	20.6	19.5	20.9	21.3
2H	4H	19.9	21.3	20.3	21.6	22.0	19.4	20.8	19.8	21.2	21.5
2H	6H	20.2	21.5	20.6	21.8	22.2	19.6	20.9	20.0	21.2	21.6
2H	8H	20.2	21.4	20.6	21.8	22.2	19.6	20.8	20.0	21.2	21.6
2H	12H	20.2	21.4	20.6	21.8	22.2	19.6	20.7	20.0	21.1	21.5
4H	2H	18.7	20.1	19.1	20.5	20.8	18.6	20.0	19.0	20.3	20.7
4H	3H	20.1	21.3	20.5	21.7	22.1	19.8	21.0	20.2	21.4	21.8
4H	4H	20.7	21.7	21.1	22.2	22.6	20.2	21.3	20.7	21.7	22.1
4H	6H	21.0	21.9	21.5	22.4	22.8	20.4	21.3	20.9	21.8	22.2
4H	8H	21.1	21.9	21.5	22.4	22.9	20.4	21.3	20.9	21.7	22.2
4H	12H	21.1	21.9	21.6	22.4	22.9	20.5	21.3	20.9	21.7	22.2
8H	4H	20.8	21.7	21.3	22.1	22.6	20.4	21.2	20.8	21.7	22.1
8H	6H	21.1	21.9	21.6	22.3	22.8	20.6	21.3	21.0	21.8	22.3
8H	8H	21.3	21.9	21.8	22.5	22.9	20.7	21.3	21.2	21.8	22.3
8H	12H	21.4	21.9	21.9	22.4	22.9	20.7	21.2	21.2	21.7	22.2
12H	4H	20.8	21.6	21.3	22.0	22.5	20.4	21.2	20.9	21.6	22.1
12H	6H	21.2	21.8	21.7	22.3	22.8	20.6	21.3	21.1	21.8	22.2
12H	8H	21.3	21.9	21.8	22.4	22.9	20.7	21.2	21.2	21.7	22.2

DIMMING OPTION

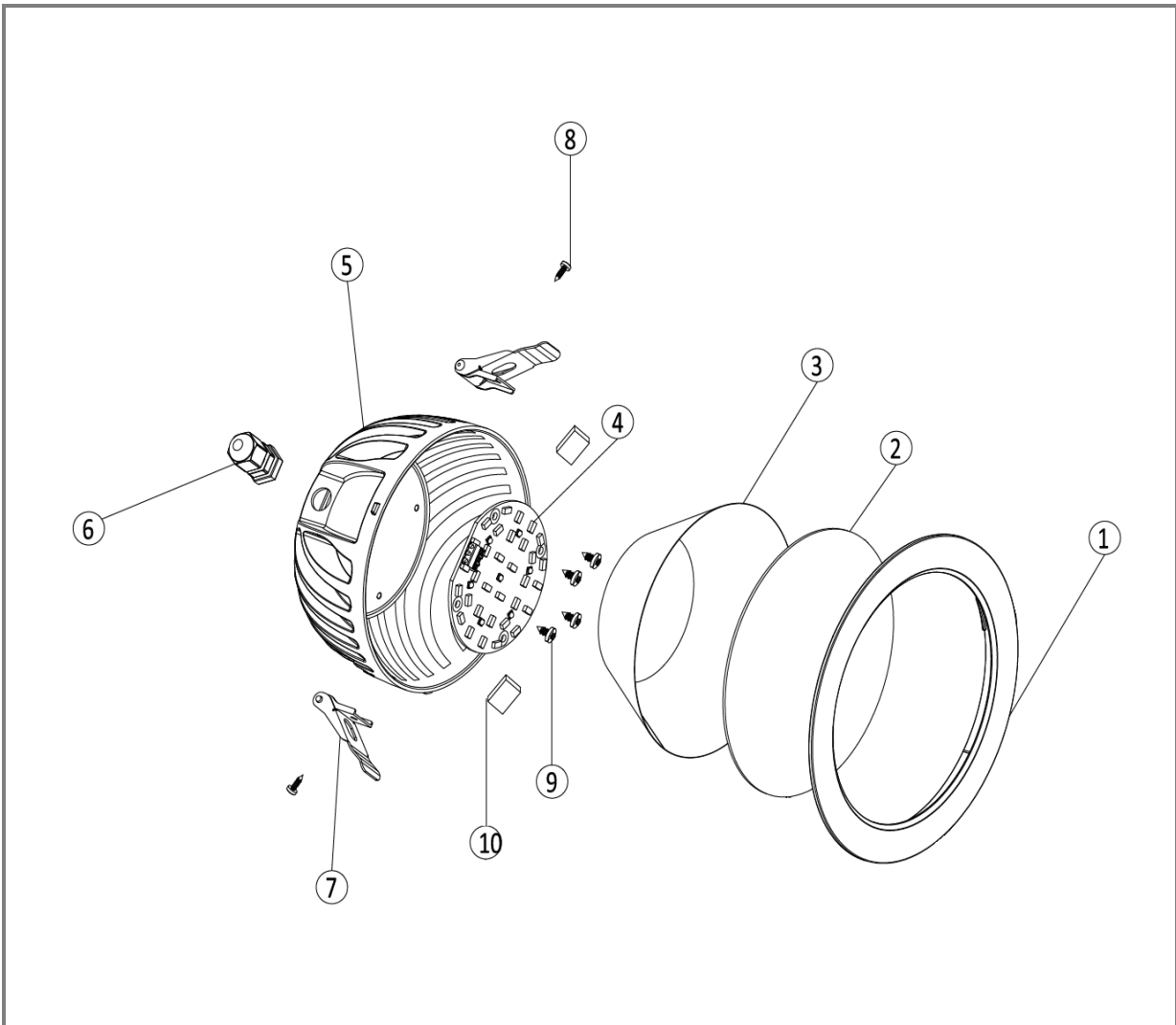
1-10V DIMMING

1-10V dimming provides analog dimming in a step-less manner. Any light level between 10% and 100% of light output, can be adjusted. This feature even enables continuous dimming with a 1-10V equipped driver.

TECHNICAL DRAWING



EXPLODED VIEW OF THE PRODUCT



NO.	PART NAME
1	FRONT FRAME
2	GLASS
3	REFLECTOR
4	PCB
5	ALUMINUM HOUSING
6	CABLE GLAND
7	MOUNTING BRACKET
8	2.2x5 SCREW
9	2.2x9.5 SCREW
10	SUPPORT SPONGE

20" FEET		40" FEET		40" FEET	
1536pcs		3456pcs		3456pcs	
PALETTE DIMENSIONS					
LENGHT	WIDTH	HEIGHT	WEIGHT	PACKAGE ON THE PALETTE	
127cm	115cm	220cm	264kg	192pcs	