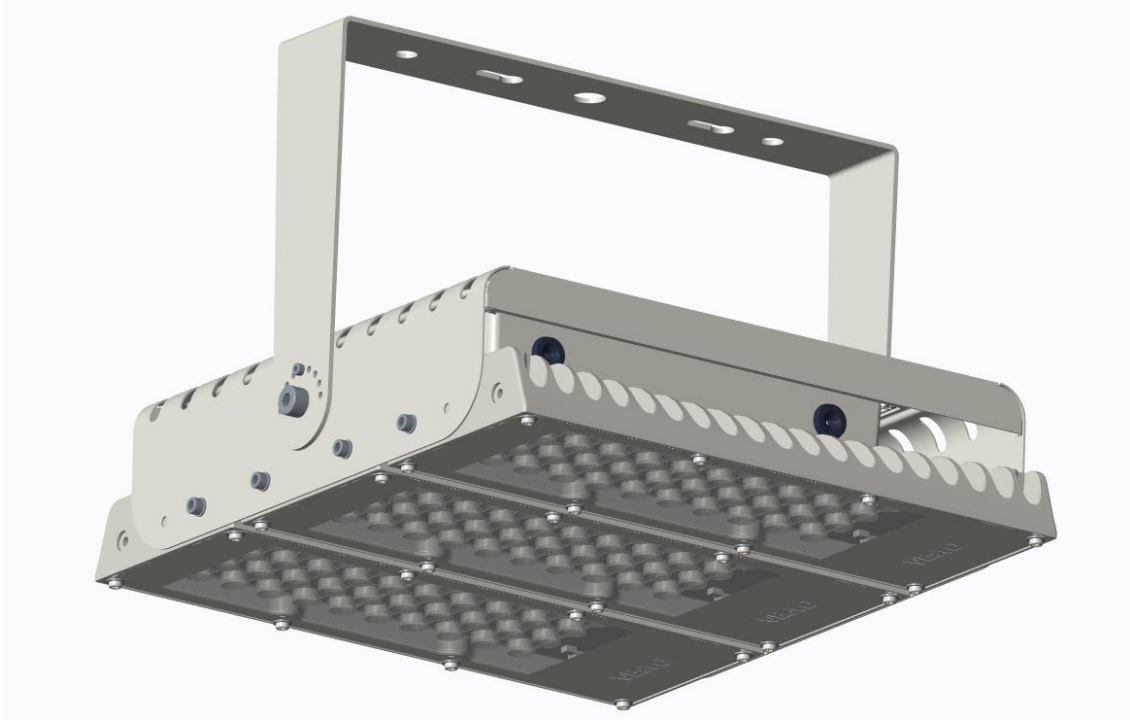


HIGHBAY

Highbay 3M 150W 70CRI



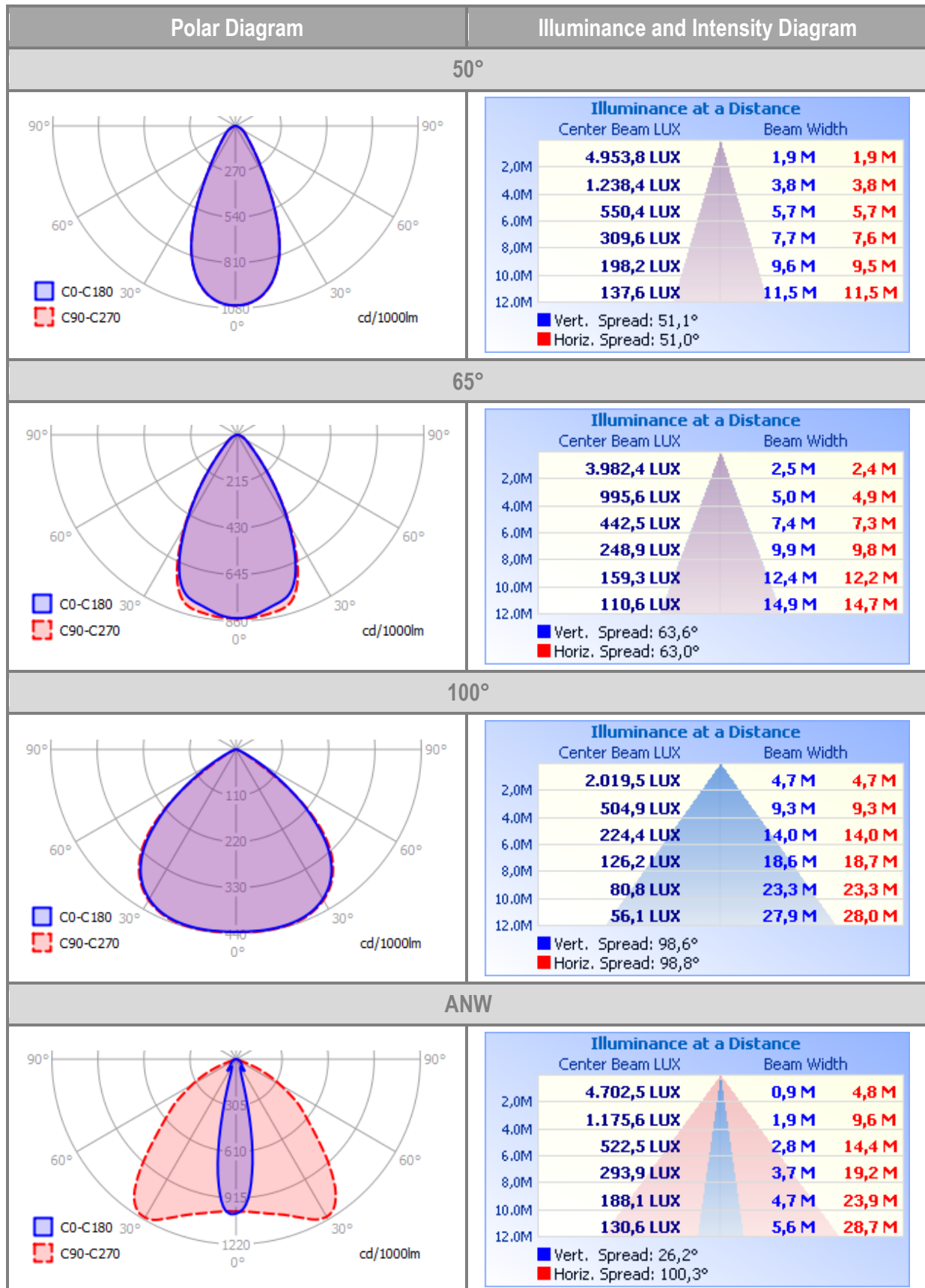
VESTEL

LED LIGHTING

PRODUCT TECHNICAL INFORMATION

PRODUCT SPECIFICATION			
Colour Description		Neutral White	Cool White
CCT		4000K	6500K
Luminous Flux		18400 lm \pm 10%	18400 lm \pm 10%
Rated Power		150W	150W
CRI		\geq 70	\geq 70
Efficacy of Luminaire		115 lm/W	115 lm/W
Beam Angle of Luminaire	50° / 65° / 100° / 23°x100°		
Unified Glare Ratio (UGR)	\leq 24 for 50° \leq 25 for 65°	\leq 28 for 100° \leq 32 for ANW [endwise]	
Dimming	Optional		
Emergency	N/A		
Flicker Free	Optional		
Rated Life Time (L70)	60,000 hours		
Operated Temperature	-40°C ° – +40°C		
Humidity (Relative)	85%		
IP	66		
ELECTRICAL SPECIFICATION			
Number of Power Supplies	1 for 1 product		
Input Voltage (Vac)	220 ~ 240Vac		
Output Voltage (Vdc)	48 – 60V		
Output Current (Idc)	2400mA \pm 5%		
Frequency (Hz)	50 ~ 60Hz		
Operating Mode	Constant Current		
Power Factor	PF > 0,90		
MECHANICAL SPECIFICATION			
Dimensions (LxWxH)	430*415*113mm		
Weight	11.5kg – (WO Bracket 10.3kg)		
Packaging Type	Outbox		
Package Dimensions (LxWxH)	465*430*190 mm (WO Bracket 445*430*190 mm)		
Box	BC FLUTE		
Quantity in a Box	1		

PHOTOMETRIC SPECIFICATION



DIMMING OPTION

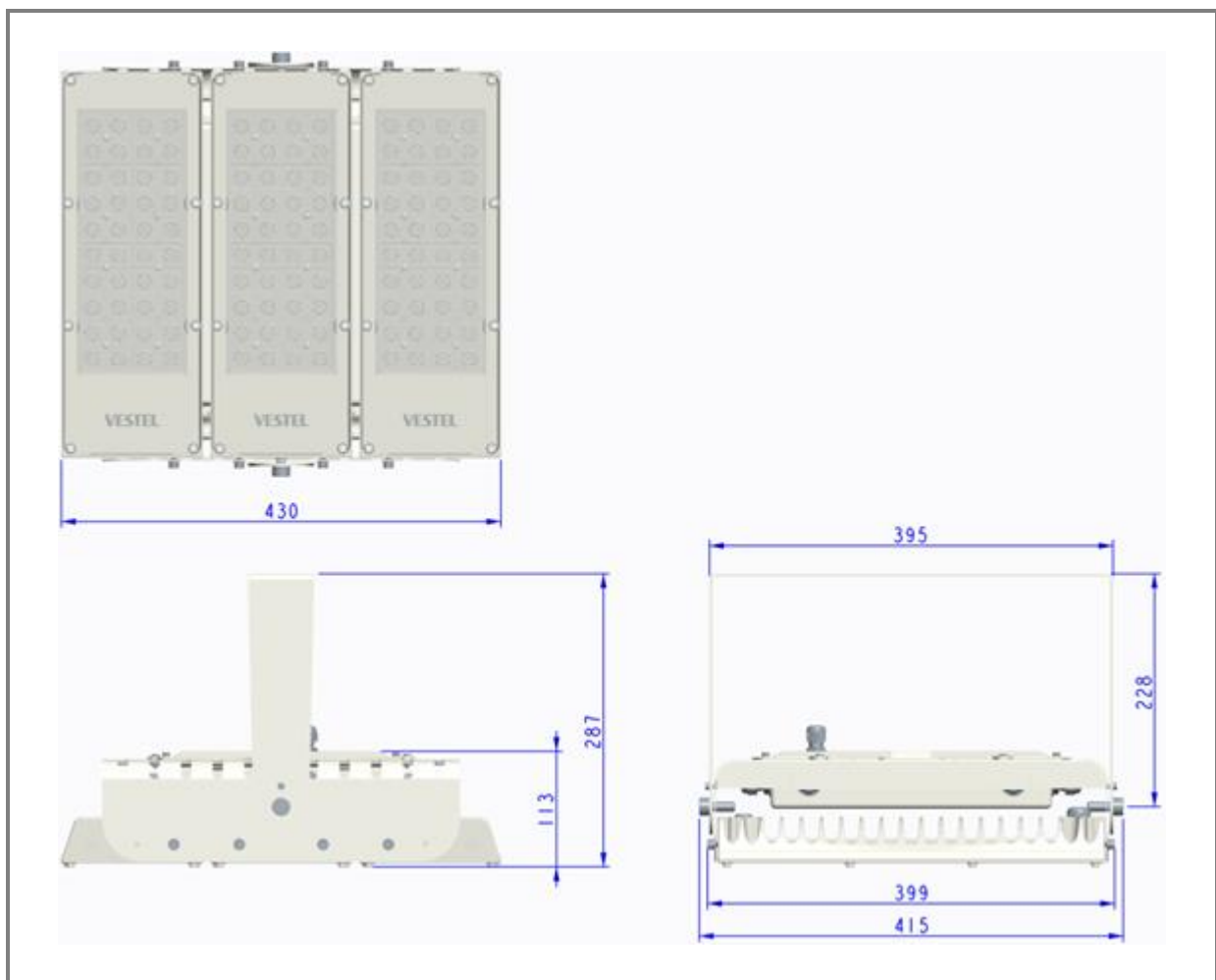
1-10V DIMMING

1-10V dimming provides analog dimming in a step-less manner. Any light level between 10% and 100% of light output, can be adjusted. This feature even enables continuous dimming with a 1-10V equipped driver.

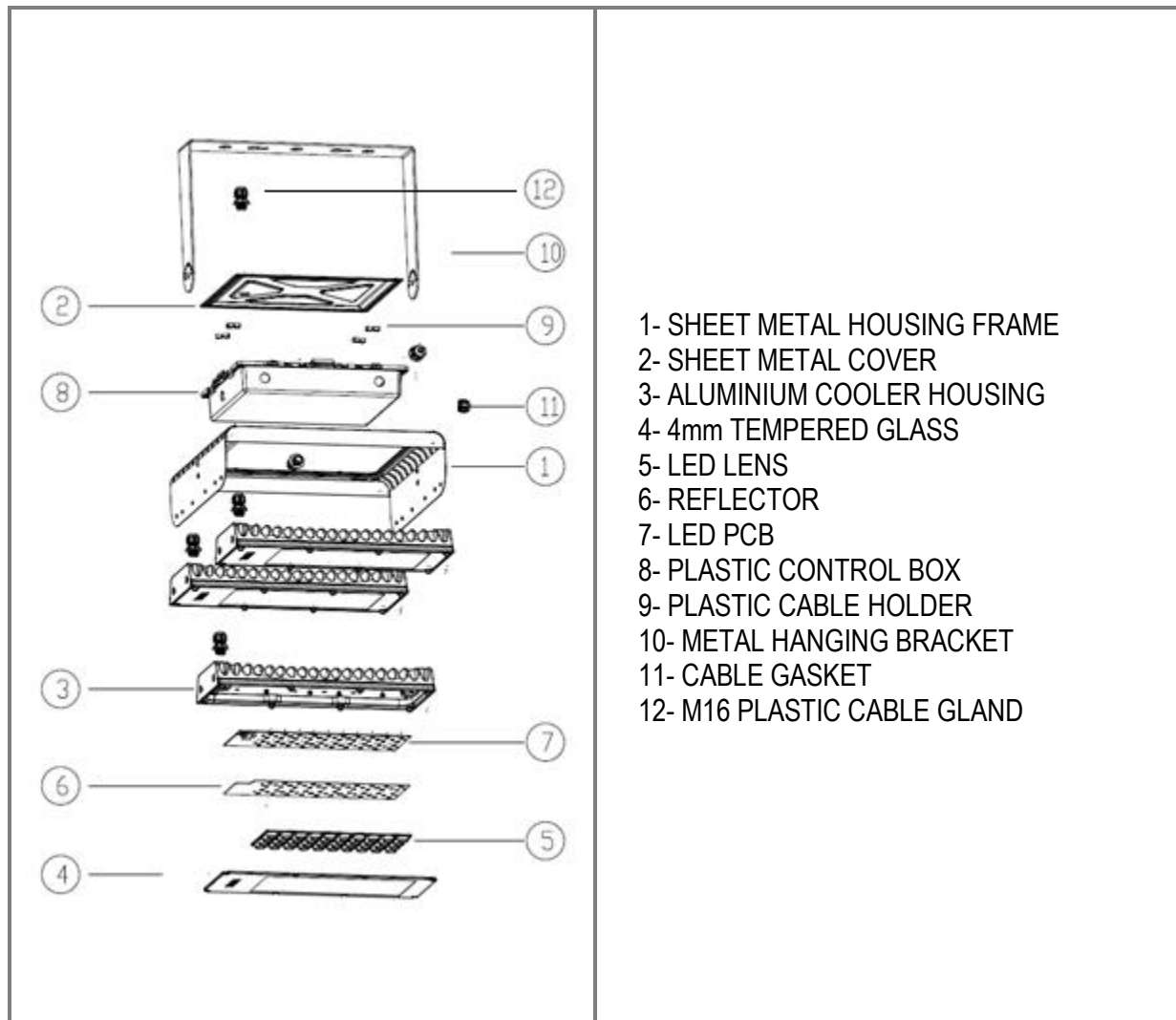
DALI DIMMING

DALI (Digital Addressable Lighting Interface) is defined under the European Standard IEC 60929. DALI has bi-directional communication, allowing control systems to query ata devices and obtain information about the status of each device.

TECHNICAL DRAWING



EXPLODED VIEW OF THE PRODUCT



CONTAINER INFORMATION				
20" FEET		40" FEET		40" FEET
240 Pcs		480 Pcs		480 Pcs
PALETTE DIMENSIONS				
LENGHT	WIDTH	HEIGHT	WEIGHT	PACKAGE ON THE PALETTE
140cm	110cm	110cm	345 kg	30pcs