

## STREET LIGHT



# VESTEL

LED LIGHTING

PRODUCT TECHNICAL INFORMATION EPHEBUS M4H-13 1900lm

PRODUCT SPECIFICATION			
Colour Description	Warm White	Neutral White	Cool White
CCT		4000K	
Luminous Flux		1900 lm $\pm$ 15%	
Rated Power		13W	
CRI		> 70	
Efficacy of Luminaire		145 lm/W	
Beam Angle of Luminaire	Asymmetric		
Flicker Free	Optional		
Rated Life Time (L70)	100,000 hours		
Operated Temperature	-40° - +50°C		
IP	IP66		
IK	IK08		
Dimming (Optional)	1-10V Dimming Autodimming Half Night Switch (HNS) Wireless		
ELECTRICAL SPECIFICATION			
Number of Power Supplies	1 for 1 product		
Input Voltage (Vac)	220 ~ 240Vac		
Output Voltage (Vdc)	55-59 Vdc		
Output Current (Idc)	0.21A $\pm$ %5		
Frequency (Hz)	50 ~ 60Hz		
Operating Mode	Constant Current		
Power Factor	PF > 0,90		
MECHANICAL SPECIFICATION			
Dimensions (LxWxH)	637x374.3x85.4mm		
Weight	9.5kg		
Packaging Type	BC+Dopell		
Package Dimensions (LxWxH)	715x420x170mm		
Box	A BOX		
Quantity in a Box	<u>1</u>		

PRODUCT TECHNICAL INFORMATION EPHEBUS M4S-24 2800lm

PRODUCT SPECIFICATION			
Colour Description	Warm White	Neutral White	Cool White
CCT		4000K	
Luminous Flux		2800 lm $\pm$ 15%	
Rated Power		24W	
CRI		> 70	
Efficacy of Luminaire		115 lm/W	
Beam Angle of Luminaire	Asymmetric		
Flicker Free	Optional		
Rated Life Time (L70)	100,000 hours		
Operated Temperature	-40° - +50°C		
IP	IP66		
IK	IK08		
Dimming (Optional)	1-10V Dimming Autodimming Half Night Switch (HNS) Wireless		
ELECTRICAL SPECIFICATION			
Number of Power Supplies	1 for 1 product		
Input Voltage (Vac)	220 ~ 240Vac		
Output Voltage (Vdc)	50-70 Vdc		
Output Current (Idc)	0.35A $\pm$ %5		
Frequency (Hz)	50 ~ 60Hz		
Operating Mode	Constant Current		
Power Factor	PF > 0,90		
MECHANICAL SPECIFICATION			
Dimensions (LxWxH)	637x374.3x85.4mm		
Weight	9.5kg		
Packaging Type	BC+Dopell		
Package Dimensions (LxWxH)	715x420x170mm		
Box	A BOX		
Quantity in a Box	<u>1</u>		

PRODUCT TECHNICAL INFORMATION EPHEBUS M4S-35 4000lm

PRODUCT SPECIFICATION			
Colour Description	Warm White	Neutral White	Cool White
CCT		4000K	
Luminous Flux		4000 lm $\pm$ 15%	
Rated Power		35W	
CRI		> 70	
Efficacy of Luminaire		115 lm/W	
Beam Angle of Luminaire	Asymmetric		
Flicker Free	Optional		
Rated Life Time (L70)	100,000 hours		
Operated Temperature	-40° - +50°C		
IP	IP66		
IK	IK08		
Dimming (Optional)	1-10V Dimming Autodimming Half Night Switch (HNS) Wireless		
ELECTRICAL SPECIFICATION			
Number of Power Supplies	1 for 1 product		
Input Voltage (Vac)	220 ~ 240Vac		
Output Voltage (Vdc)	22-44 Vdc		
Output Current (Idc)	1.05A $\pm$ %5		
Frequency (Hz)	50 ~ 60Hz		
Operating Mode	Constant Current		
Power Factor	PF > 0,90		
MECHANICAL SPECIFICATION			
Dimensions (LxWxH)	637x374.3x85.4mm		
Weight	9.5kg		
Packaging Type	BC+Dopell		
Package Dimensions (LxWxH)	715x420x170mm		
Box	A BOX		
Quantity in a Box	<u>1</u>		

PRODUCT TECHNICAL INFORMATION EPHEBUS M4-47 5400lm

PRODUCT SPECIFICATION			
Colour Description	Warm White	Neutral White	Cool White
CCT		4000K	
Luminous Flux		5400 lm $\pm$ 15%	
Rated Power		47W	
CRI		> 70	
Efficacy of Luminaire		115 lm/W	
Beam Angle of Luminaire	Asymmetric		
Flicker Free	Optional		
Rated Life Time (L70)	100,000 hours		
Operated Temperature	-40° - +50°C		
IP	IP66		
IK	IK08		
Dimming (Optional)	1-10V Dimming Autodimming Half Night Switch (HNS) Wireless		
ELECTRICAL SPECIFICATION			
Number of Power Supplies	1 for 1 product		
Input Voltage (Vac)	220 ~ 240Vac		
Output Voltage (Vdc)	22-44 Vdc		
Output Current (Idc)	1.4A $\pm$ %5		
Frequency (Hz)	50 ~ 60Hz		
Operating Mode	Constant Current		
Power Factor	PF > 0,90		
MECHANICAL SPECIFICATION			
Dimensions (LxWxH)	637x374.3x85.4mm		
Weight	9.5kg		
Packaging Type	BC+Dopell		
Package Dimensions (LxWxH)	715x420x170mm		
Box	A BOX		
Quantity in a Box	<u>1</u>		

PRODUCT TECHNICAL INFORMATION EPHEBUS M4H-48 6850lm

PRODUCT SPECIFICATION			
Colour Description	Warm White	Neutral White	Cool White
CCT		4000K	
Luminous Flux		6850 lm $\pm$ 15%	
Rated Power		48W	
CRI		> 70	
Efficacy of Luminaire		140 lm/W	
Beam Angle of Luminaire	Asymmetric		
Flicker Free	Optional		
Rated Life Time (L70)	100,000 hours		
Operated Temperature	-40° - +50°C		
IP	IP66		
IK	IK08		
Dimming (Optional)	1-10V Dimming Autodimming Half Night Switch (HNS) Wireless		
ELECTRICAL SPECIFICATION			
Number of Power Supplies	1 for 1 product		
Input Voltage (Vac)	220 ~ 240Vac		
Output Voltage (Vdc)	28-40 Vdc		
Output Current (Idc)	1.325A $\pm$ %5		
Frequency (Hz)	50 ~ 60Hz		
Operating Mode	Constant Current		
Power Factor	PF > 0,90		
MECHANICAL SPECIFICATION			
Dimensions (LxWxH)	637x374.3x85.4mm		
Weight	9.5kg		
Packaging Type	BC+Dopell		
Package Dimensions (LxWxH)	715x420x170mm		
Box	A BOX		
Quantity in a Box	<u>1</u>		

PRODUCT TECHNICAL INFORMATION EPHEBUS M3S-68 9000lm

PRODUCT SPECIFICATION			
Colour Description	Warm White	Neutral White	Cool White
CCT		4000K	
Luminous Flux		7800 lm $\pm$ 15%	
Rated Power		68W	
CRI		> 70	
Efficacy of Luminaire		115 lm/W	
Beam Angle of Luminaire	Asymmetric		
Flicker Free	Optional		
Rated Life Time (L70)	100,000 hours		
Operated Temperature	-40° - +50°C		
IP	IP66		
IK	IK08		
Dimming (Optional)	1-10V Dimming Autodimming Half Night Switch (HNS) Wireless		
ELECTRICAL SPECIFICATION			
Number of Power Supplies	1 for 1 product		
Input Voltage (Vac)	220 ~ 240Vac		
Output Voltage (Vdc)	22-36 Vdc		
Output Current (Idc)	2.1A $\pm$ %5		
Frequency (Hz)	50 ~ 60Hz		
Operating Mode	Constant Current		
Power Factor	PF > 0,90		
MECHANICAL SPECIFICATION			
Dimensions (LxWxH)	810x338x94 mm		
Weight	12 kg		
Packaging Type	BC DOPEL		
Package Dimensions (LxWxH)	870x380x165 mm		
Box	A BOX		
Quantity in a Box	<u>1</u>		

PRODUCT TECHNICAL INFORMATION EPHEBUS M4S-68 7800lm

PRODUCT SPECIFICATION			
Colour Description	Warm White	Neutral White	Cool White
CCT		4000K	
Luminous Flux		7800 lm $\pm$ 15%	
Rated Power		68W	
CRI		> 70	
Efficacy of Luminaire		115 lm/W	
Beam Angle of Luminaire	Asymmetric		
Flicker Free	Optional		
Rated Life Time (L70)	100,000 hours		
Operated Temperature	-40° - +50°C		
IP	IP66		
IK	IK08		
Dimming (Optional)	1-10V Dimming Autodimming Half Night Switch (HNS) Wireless		
ELECTRICAL SPECIFICATION			
Number of Power Supplies	1 for 1 product		
Input Voltage (Vac)	220 ~ 240Vac		
Output Voltage (Vdc)	22-36 Vdc		
Output Current (Idc)	2.1A $\pm$ %5		
Frequency (Hz)	50 ~ 60Hz		
Operating Mode	Constant Current		
Power Factor	PF > 0,90		
MECHANICAL SPECIFICATION			
Dimensions (LxWxH)	637x374.3x85.4mm		
Weight	9.5kg		
Packaging Type	BC+Dopell		
Package Dimensions (LxWxH)	715x420x170mm		
Box	A BOX		
Quantity in a Box	<u>1</u>		



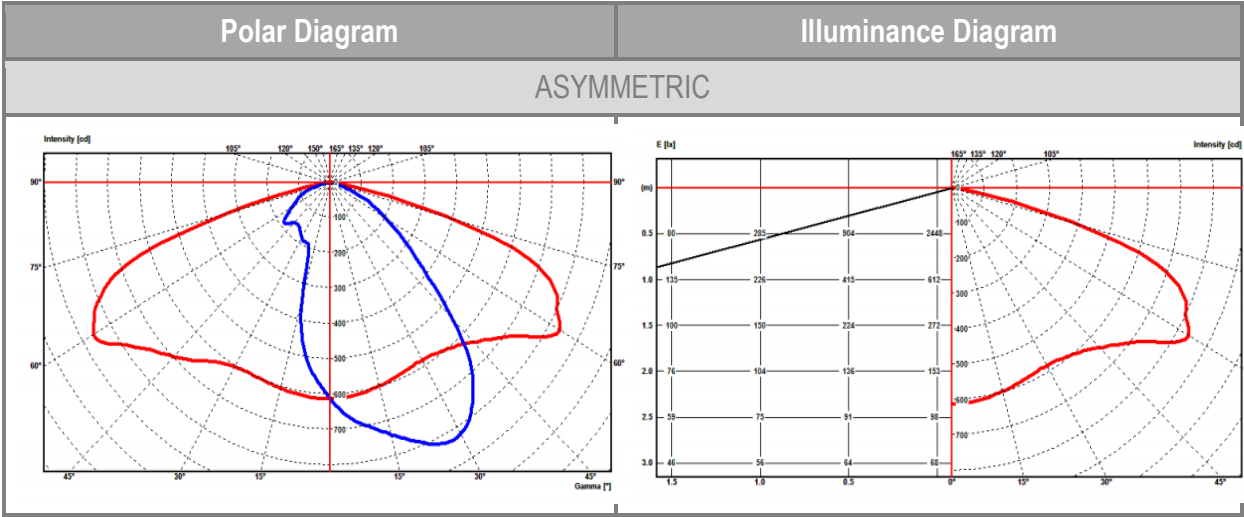
PRODUCT TECHNICAL INFORMATION EPHEBUS M4H-68 9000lm

PRODUCT SPECIFICATION			
Colour Description	Warm White	Neutral White	Cool White
CCT		4000K	
Luminous Flux		9000 lm $\pm$ 15%	
Rated Power		68W	
CRI		> 70	
Efficacy of Luminaire		132 lm/W	
Beam Angle of Luminaire	Asymmetric		
Flicker Free	Optional		
Rated Life Time (L70)	100,000 hours		
Operated Temperature	-40° - +50°C		
IP	IP66		
IK	IK08		
Dimming (Optional)	1-10V Dimming Autodimming Half Night Switch (HNS) Wireless		
ELECTRICAL SPECIFICATION			
Number of Power Supplies	1 for 1 product		
Input Voltage (Vac)	220 ~ 240Vac		
Output Voltage (Vdc)	22-36 Vdc		
Output Current (Idc)	2.1A $\pm$ %5		
Frequency (Hz)	50 ~ 60Hz		
Operating Mode	Constant Current		
Power Factor	PF > 0,90		
MECHANICAL SPECIFICATION			
Dimensions (LxWxH)	637x374.3x85.4mm		
Weight	9.5kg		
Packaging Type	BC+Dopell		
Package Dimensions (LxWxH)	715x420x170mm		
Box	A BOX		
Quantity in a Box	<u>1</u>		

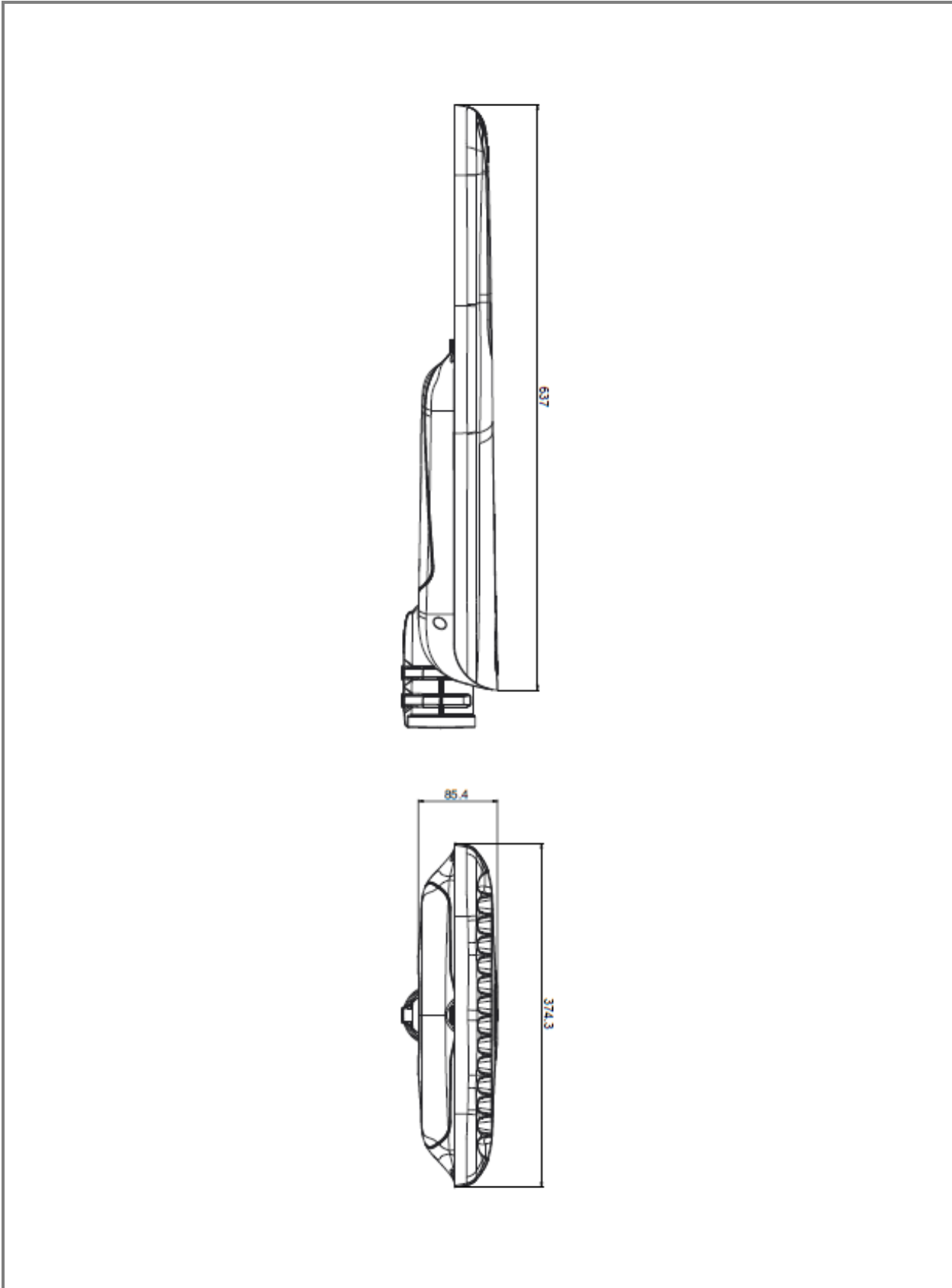
PRODUCT TECHNICAL INFORMATION EPHEBUS M3S-90 10400lm

PRODUCT SPECIFICATION			
Colour Description	Warm White	Neutral White	Cool White
CCT		4000K	
Luminous Flux		10400 lm $\pm$ 15%	
Rated Power		90W	
CRI		> 70	
Efficacy of Luminaire		115 lm/W	
Beam Angle of Luminaire	Asymmetric		
Flicker Free	Optional		
Rated Life Time (L70)	100,000 hours		
Operated Temperature	-40° - +50°C		
IP	IP66		
IK	IK08		
Dimming (Optional)	1-10V Dimming Autodimming Half Night Switch (HNS) Wireless		
ELECTRICAL SPECIFICATION			
Number of Power Supplies	1 for 1 product		
Input Voltage (Vac)	220 ~ 240Vac		
Output Voltage (Vdc)	22-36 Vdc		
Output Current (Idc)	2.8A $\pm$ %5		
Frequency (Hz)	50 ~ 60Hz		
Operating Mode	Constant Current		
Power Factor	PF > 0,90		
MECHANICAL SPECIFICATION			
Dimensions (LxWxH)	810x338x94 mm		
Weight	12 kg		
Packaging Type	BC DOPEL		
Package Dimensions (LxWxH)	870x380x165 mm		
Box	A BOX		
Quantity in a Box	<u>1</u>		

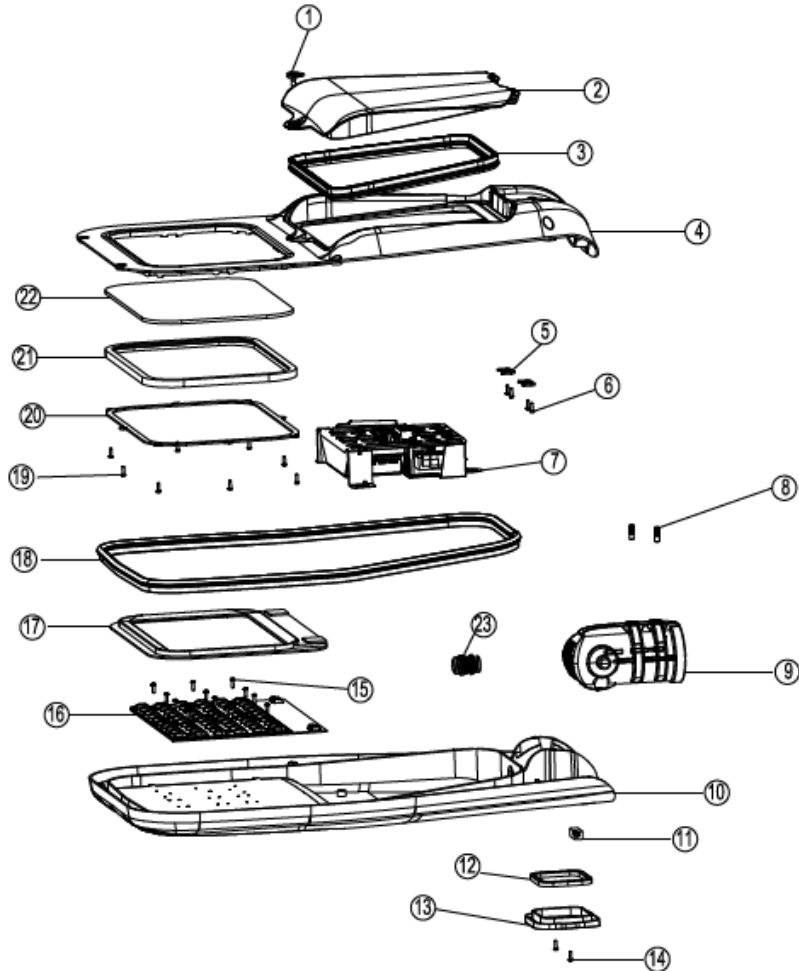
# PHOTOMETRIC SPECIFICATION



TECHNICAL DRAWING



## EXPLODED VIEW OF THE PRODUCT



NO	DESCRIPTION	ADET
1	M5 SCREW SERVICE CAP	1
2	AL DIE CAST BOTTOM CAP PART	1
3	IP65 SEAL_BOTTOM-BOTTOM	1
4	AL DIE CAST BOTTOM PART	1
5	BOTTOM CAP BRACKET DX51	2
6	M3 SCREW CAP FIXING BRACKET	4
7	POWERSUPPLY & CONTROL UNITE	1
8	M8 POLE HOLDER SCREW	2
9	AL DIE CAST POLE HOLDER 40-60MM	1
10	AL DIE CAST TOP PART	1
11	SPRIT LEVEL	1
12	POLE HOLDER PANEL SEAL	1
13	POLE HOLDER PANEL CAP	1
14	M3 SCREW POLE HOLDER PANEL CAP	2
15	M3 SCREW PCB & LENS	12
16	PCB	1
17	COSMETIC FRAME	1
18	GLASS SEAL	1
19	M3 SCREW GLASS BRACKET	8
20	GLASS BRACKET	1
21	GLASS SEAL	1
22	GLASS TEMPERED_4MM	1
23	CABLE GLAND M20	1

CONTAINER INFORMATION				
20" FEET		40" FEET		40" FEET
210		210		420
PALETTE DIMENSIONS				
LENGHT	WIDTH	HEIGHT	WEIGHT	PACKAGE ON THE PALETTE
100	120	127	200	21