

STREET LIGHT



VESTEL

LED LIGHTING

PRODUCT TECHNICAL INFORMATION EPHEBUS M3S-108 12400lm

PRODUCT SPECIFICATION			
Colour Description	Warm White	Neutral White	Cool White
CCT		4000K	
Luminous Flux		12400 lm \pm 15%	
Rated Power		108W	
CRI		> 70	
Efficacy of Luminaire		115 lm/W	
Beam Angle of Luminaire	Asymmetric		
Flicker Free	Optional		
Rated Life Time (L70)	100,000 hours		
Operated Temperature	-40° - +50°C		
IP	IP66		
IK	IK08		
Dimming (Optional)	1-10V Dimming Autodimming Half Night Switch (HNS) Wireless		
ELECTRICAL SPECIFICATION			
Number of Power Supplies	1 for 1 product		
Input Voltage (Vac)	220 ~ 240Vac		
Output Voltage (Vdc)	25-42 Vdc		
Output Current (Idc)	2.7A \pm %5		
Frequency (Hz)	50 ~ 60Hz		
Operating Mode	Constant Current		
Power Factor	PF > 0,90		
MECHANICAL SPECIFICATION			
Dimensions (LxWxH)	866x370x94 mm		
Weight	12,5 kg		
Packaging Type	BC DOPEL		
Package Dimensions (LxWxH)	900x420x205 mm		
Box	A BOX		
Quantity in a Box	<u>1</u>		

PRODUCT TECHNICAL INFORMATION EPHEBUS M2S-128 14800lm

PRODUCT SPECIFICATION

Colour Description	Warm White	Neutral White	Cool White
CCT		4000K	
Luminous Flux		14800 lm ± 15%	
Rated Power		128W	
CRI		> 70	
Efficacy of Luminaire		115 lm/W	
Beam Angle of Luminaire	Asymmetric		
Rated Life Time (L70)	100,000 hours		
Operated Temperature	-40° - +50°C		
IP	IP66		
IK	IK08		
Dimming (Optional)	1-10V Dimming Autodimming Half Night Switch (HNS) Wireless		

ELECTRICAL SPECIFICATION

Number of Power Supplies	1 for 1 product
Input Voltage (Vac)	220 ~ 240Vac
Output Voltage (Vdc)	25-42 Vdc
Output Current (Idc)	3.5A ± %5
Frequency (Hz)	50 ~ 60Hz
Operating Mode	Constant Current
Power Factor	PF > 0,90

MECHANICAL SPECIFICATION

Dimensions (LxWxH)	866x370x94 mm
Weight	12,5 kg
Packaging Type	BC DOPEL
Package Dimensions (LxWxH)	900x420x205 mm
Box	A BOX
Quantity in a Box	<u>1</u>

PRODUCT TECHNICAL INFORMATION EPHEBUS M2S-147 17000lm

PRODUCT SPECIFICATION

Colour Description	Warm White	Neutral White	Cool White
CCT		4000K	
Luminous Flux		17000 lm ± 15%	
Rated Power		147W	
CRI		> 70	
Efficacy of Luminaire		115 lm/W	
Beam Angle of Luminaire	Asymmetric		
Flicker Free	Optional		
Rated Life Time (L70)	100,000 hours		
Operated Temperature	-40° - +50°C		
IP	IP66		
IK	IK08		
Dimming (Optional)	1-10V Dimming Autodimming Half Night Switch (HNS) Wireless		

ELECTRICAL SPECIFICATION

Number of Power Supplies	1 for 1 product
Input Voltage (Vac)	220 ~ 240Vac
Output Voltage (Vdc)	32-50 Vdc
Output Current (Idc)	3.2A ± %5
Frequency (Hz)	50 ~ 60Hz
Operating Mode	Constant Current
Power Factor	PF > 0,90

MECHANICAL SPECIFICATION

Dimensions (LxWxH)	866x370x94 mm
Weight	12,5 kg
Packaging Type	BC DOPEL
Package Dimensions (LxWxH)	900x420x205 mm
Box	A BOX
Quantity in a Box	<u>1</u>

PRODUCT TECHNICAL INFORMATION EPHEBUS M2S-165 19000lm

PRODUCT SPECIFICATION			
Colour Description	Warm White	Neutral White	Cool White
CCT		4000K	
Luminous Flux		19000 lm \pm 15%	
Rated Power		165W	
CRI		> 70	
Efficacy of Luminaire		115 lm/W	
Beam Angle of Luminaire	Asymmetric		
Flicker Free	Optional		
Rated Life Time (L70)	100,000 hours		
Operated Temperature	-40° - +50°C		
IP	IP66		
IK	IK08		
Dimming (Optional)	1-10V Dimming Autodimming Half Night Switch (HNS) Wireless		
ELECTRICAL SPECIFICATION			
Number of Power Supplies	1 for 1 product		
Input Voltage (Vac)	220 ~ 240Vac		
Output Voltage (Vdc)	32-50 Vdc		
Output Current (Idc)	3.5A \pm %5		
Frequency (Hz)	50 ~ 60Hz		
Operating Mode	Constant Current		
Power Factor	PF > 0,90		
MECHANICAL SPECIFICATION			
Dimensions (LxWxH)	866x370x94 mm		
Weight	12,5 kg		
Packaging Type	BC DOPEL		
Package Dimensions (LxWxH)	900x420x205 mm		
Box	A BOX		
Quantity in a Box	<u>1</u>		

PRODUCT TECHNICAL INFORMATION EPHEBUS M2S-165 22000lm

PRODUCT SPECIFICATION			
Colour Description	Warm White	Neutral White	Cool White
CCT		4000K	
Luminous Flux		22000 lm \pm 15%	
Rated Power		165W	
CRI		> 70	
Efficacy of Luminaire		133 lm/W	
Beam Angle of Luminaire	Asymmetric		
Flicker Free	Optional		
Rated Life Time (L70)	100,000 hours		
Operated Temperature	-40° - +50°C		
IP	IP66		
IK	IK08		
Dimming (Optional)	1-10V Dimming Autodimming Half Night Switch (HNS) Wireless		
ELECTRICAL SPECIFICATION			
Number of Power Supplies	1 for 1 product		
Input Voltage (Vac)	220 ~ 240Vac		
Output Voltage (Vdc)	32-50 Vdc		
Output Current (Idc)	3.5A \pm %5		
Frequency (Hz)	50 ~ 60Hz		
Operating Mode	Constant Current		
Power Factor	PF > 0,90		
MECHANICAL SPECIFICATION			
Dimensions (LxWxH)	866x370x94 mm		
Weight	12,5 kg		
Packaging Type	BC DOPEL		
Package Dimensions (LxWxH)	900x420x205 mm		
Box	A BOX		
Quantity in a Box	<u>1</u>		

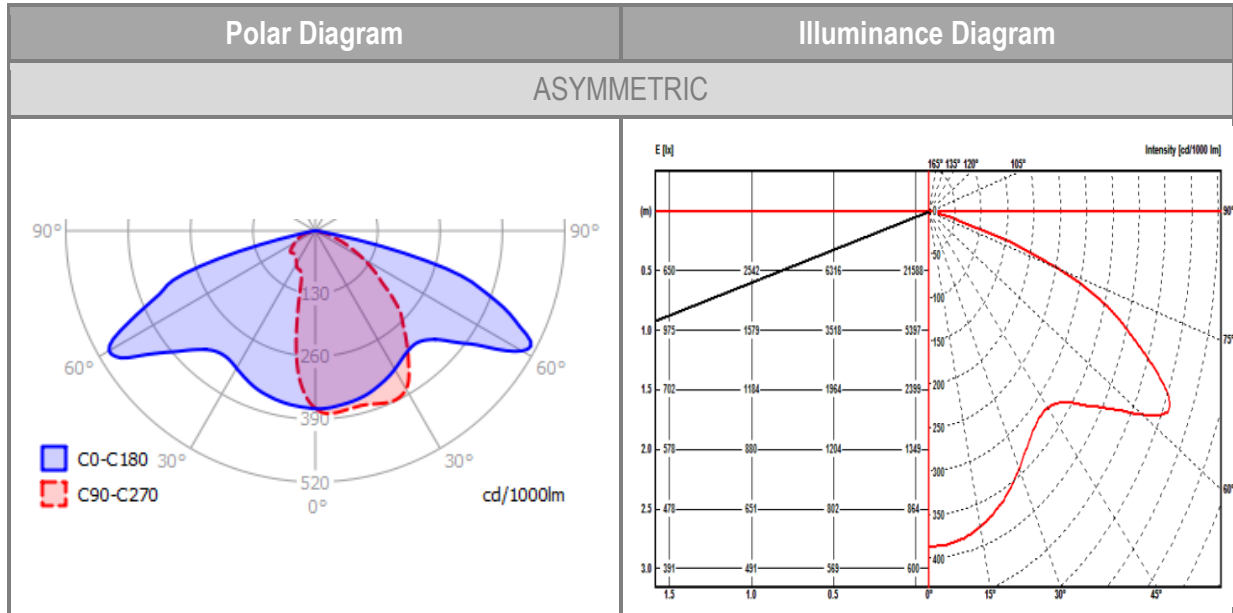
PRODUCT TECHNICAL INFORMATION EPHEBUS M2S-165 23000lm

PRODUCT SPECIFICATION			
Colour Description	Warm White	Neutral White	Cool White
CCT		4000K	
Luminous Flux		23000 lm \pm 15%	
Rated Power		165W	
CRI		> 70	
Efficacy of Luminaire		139 lm/W	
Beam Angle of Luminaire	Asymmetric		
Flicker Free	Optional		
Rated Life Time (L70)	100,000 hours		
Operated Temperature	-40° - +50°C		
IP	IP66		
IK	IK08		
Dimming (Optional)	1-10V Dimming Autodimming Half Night Switch (HNS) Wireless		
ELECTRICAL SPECIFICATION			
Number of Power Supplies	1 for 1 product		
Input Voltage (Vac)	220 ~ 240Vac		
Output Voltage (Vdc)	32-50 Vdc		
Output Current (Idc)	3.5A \pm %5		
Frequency (Hz)	50 ~ 60Hz		
Operating Mode	Constant Current		
Power Factor	PF > 0,90		
MECHANICAL SPECIFICATION			
Dimensions (LxWxH)	866x370x94 mm		
Weight	12,5 kg		
Packaging Type	BC DOPEL		
Package Dimensions (LxWxH)	900x420x205 mm		
Box	A BOX		
Quantity in a Box	<u>1</u>		

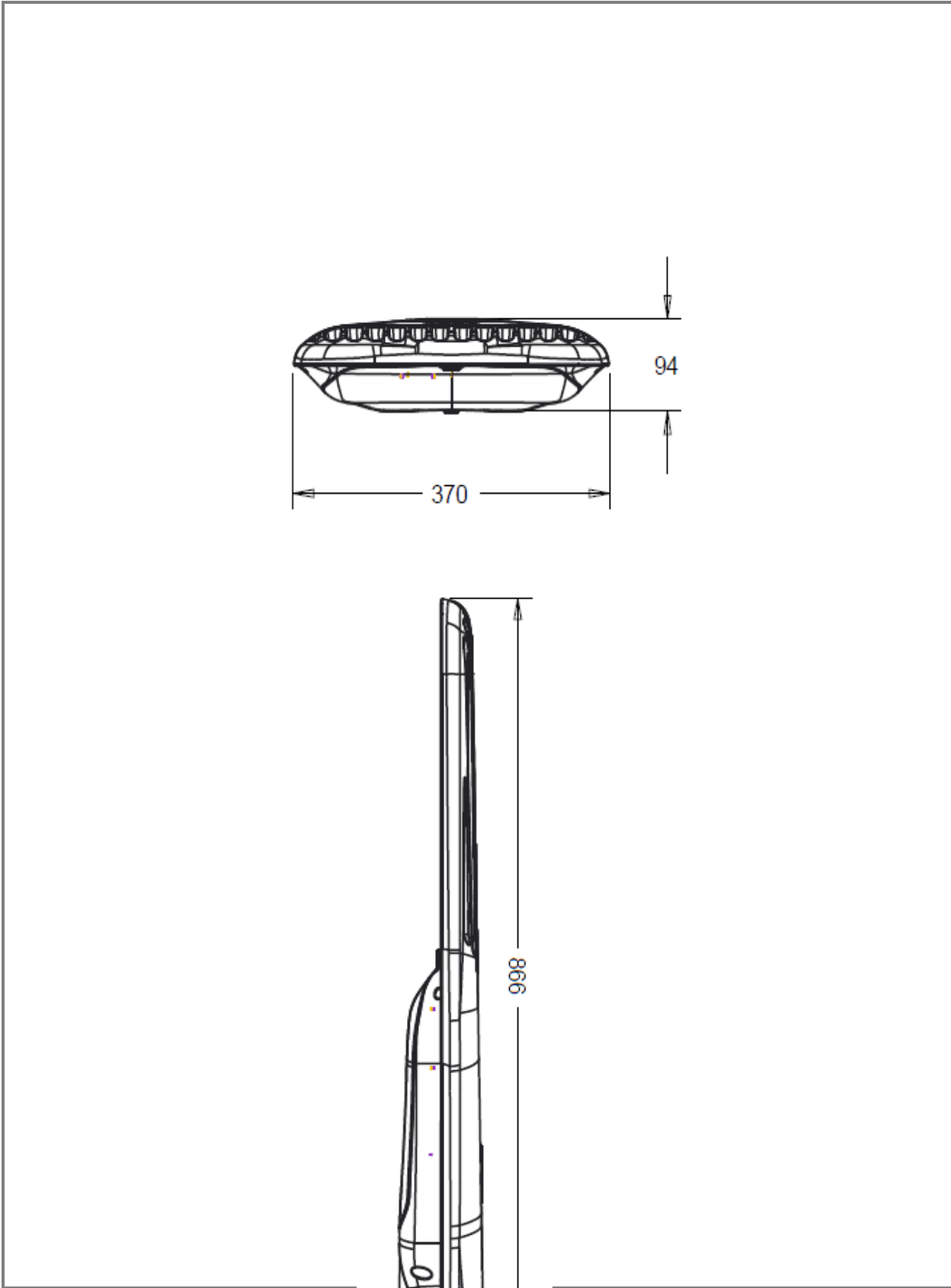
PRODUCT TECHNICAL INFORMATION EPHEBUS M2S-185 25000lm

PRODUCT SPECIFICATION			
Colour Description	Warm White	Neutral White	Cool White
CCT		4000K	
Luminous Flux		25000 lm \pm 15%	
Rated Power		185W	
CRI		> 70	
Efficacy of Luminaire		135 lm/W	
Beam Angle of Luminaire	Asymmetric		
Flicker Free	Optional		
Rated Life Time (L70)	100,000 hours		
Operated Temperature	-40° - +50°C		
IP	IP66		
IK	IK08		
Dimming (Optional)	1-10V Dimming Autodimming Half Night Switch (HNS) Wireless		
ELECTRICAL SPECIFICATION			
Number of Power Supplies	1 for 1 product		
Input Voltage (Vac)	220 ~ 240Vac		
Output Voltage (Vdc)	48-62 Vdc		
Output Current (Idc)	3.2A \pm %5		
Frequency (Hz)	50 ~ 60Hz		
Operating Mode	Constant Current		
Power Factor	PF > 0,90		
MECHANICAL SPECIFICATION			
Dimensions (LxWxH)	866x370x94 mm		
Weight	12,5 kg		
Packaging Type	BC DOPEL		
Package Dimensions (LxWxH)	900x420x205 mm		
Box	A BOX		
Quantity in a Box	<u>1</u>		

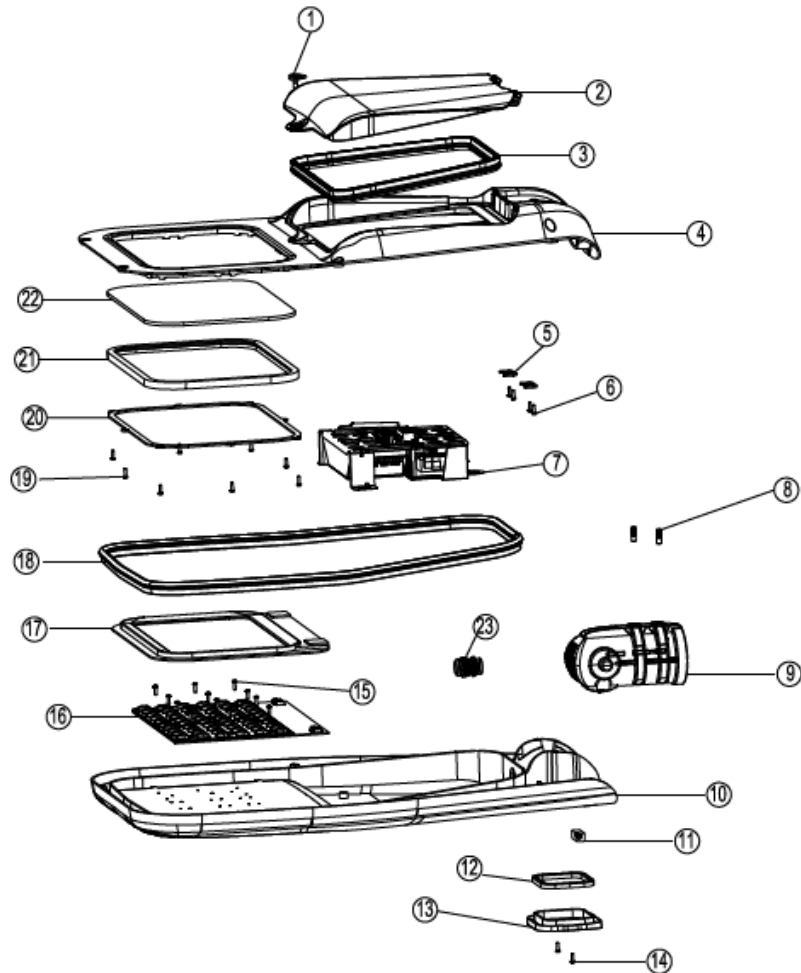
PHOTOMETRIC SPECIFICATION



TECHNICAL DRAWING



EXPLODED VIEW OF THE PRODUCT



NO	DESCRIPTION	ADET
1	M5 SCREW SERVICE CAP	1
2	AL DIE CAST BOTTOM CAP PART	1
3	IP65_SEAL_BOTTOM-BOTTOM	1
4	AL DIE CAST BOTTOM PART	1
5	BOTTOM CAP BRACKET DX51	2
6	M3 SCREW CAP FIXING BRACKET	4
7	POWERSUPPLY & CONTROL UNITE	1
8	M8 POLE HOLDER SCREW	2
9	AL DIE CAST POLE HOLDER 40-60MM	1
10	AL DIE CAST TOP PART	1
11	SPRIT LEVEL	1
12	POLE HOLDER PANEL SEAL	1
13	POLE HOLDER PANEL CAP	1
14	M3 SCREW POLE HOLDER PANEL CAP	2
15	M3 SCREW PCB & LENS	12
16	PCB	1
17	COSMETIC_FRAME	1
18	GLASS SEAL	1
19	M3 SCREW GLASS BRACKET	8
20	GLASS BRACKET	1
21	GLASS SEAL	1
22	GLASS TEMPERED_4MM	1
23	CABLE GLAND M20	1

CONTAINER INFORMATION				
20" FEET		40" FEET		40" FEET
210		420		420
PALETTE DIMENSIONS				
LENGHT	WIDTH	HEIGHT	WEIGHT	PACKAGE ON THE PALETTE
115 cm	127 cm	127 cm	263 kg	21 adet