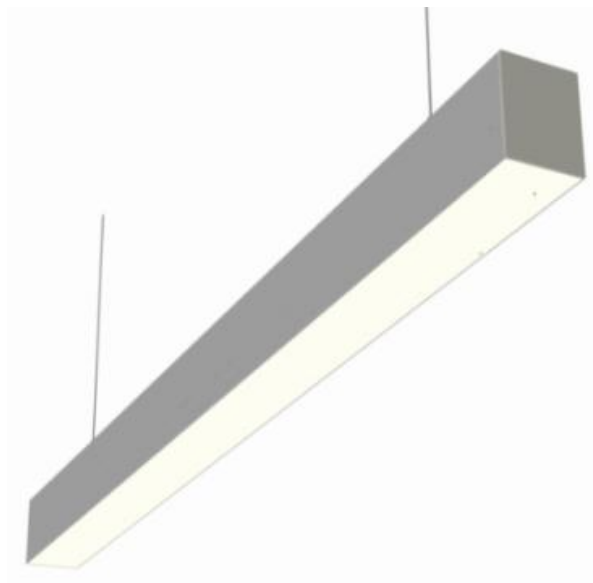


LINEAR LIGHT



VESTEL

LED LIGHTING

PRODUCT TECHNICAL INFORMATION Diffused Linear Light 60cm 14W

PRODUCT SPECIFICATION			
Colour Description	Warm White	Neutral White	Cool White
CCT	3000K	4000K	6500K
Luminous Flux	1200 lm ± 10%	1300 lm ± 10%	1300 lm ± 10%
Rated Power	14W	14W	14W
CRI	≥ 80	≥ 80	≥ 80
Efficacy of Luminaire	85 lm/W	92 lm/W	92 lm/W
Beam Angle of Luminaire	110°		
Unified Glare Ratio (UGR)	≤ 28		
Dimming	Optional		
Emergency	N/A		
Flicker Free	Optional		
Rated Life Time	35,000 hours		
Operated Temperature	0°C ° – +40°C		
Humidity (Relative)	85%		
IP			
ELECTRICAL SPECIFICATION			
Number of Power Supplies	1 for 1 product		
Input Voltage (Vac)	220 ~ 240Vac		
Output Voltage (Vdc)	21 – 40V		
Output Current (Idc)	500mA ± 5%		
Frequency (Hz)	50 ~ 60Hz		
Operating Mode	Constant Current		
Power Factor	PF > 0,90		
MECHANICAL SPECIFICATION			
Dimensions (LxWxH)	600*64.5*81mm		
Weight	1.8 kg		
Packaging Type	Craft		
Package Dimensions (LxWxH)	725*75*105mm		
Box	A BOX		
Quantity in a Box	1		

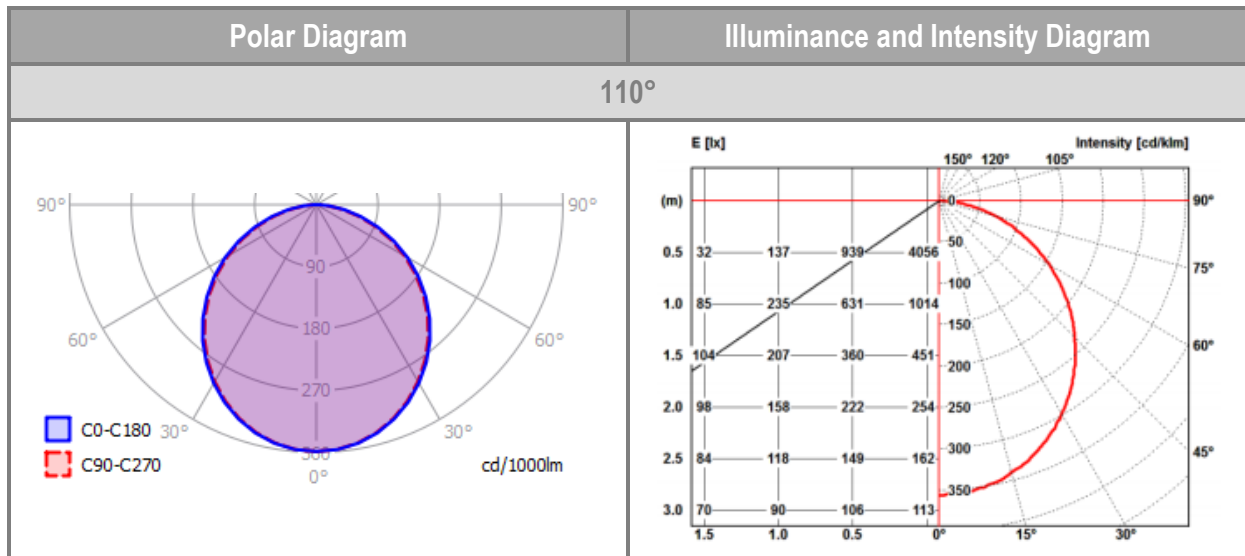
PRODUCT TECHNICAL INFORMATION Diffused Linear Light 90cm 19W

PRODUCT SPECIFICATION			
Colour Description	Warm White	Neutral White	Cool White
CCT	3000K	4000K	6500K
Luminous Flux	1650 lm ± 10%	1850 lm ± 10%	1850 lm ± 10%
Rated Power	19W 23W (w/emg)	19W 23W (w/emg)	19W 23W (w/emg)
CRI	≥ 80	≥ 80	≥ 80
Efficacy of Luminaire	85 lm/W	100 lm/W	100 lm/W
Beam Angle of Luminaire	110°		
Unified Glare Ratio (UGR)	≤ 26		
Dimming	Optional		
Emergency	N/A		
Flicker Free	Optional		
Rated Life Time	35,000 hours		
Operated Temperature	0°C ° – +40°C		
Humidity (Relative)	85%		
IP			
ELECTRICAL SPECIFICATION			
Number of Power Supplies	1 for 1 product		
Input Voltage (Vac)	220 ~ 240Vac		
Output Voltage (Vdc)	9 – 28V		
Output Current (Idc)	700mA ± 5%		
Frequency (Hz)	50 ~ 60Hz		
Operating Mode	Constant Current		
Power Factor	PF > 0,90		
MECHANICAL SPECIFICATION			
Dimensions (LxWxH)	898*64.5*81mm		
Weight	2.4 kg		
Packaging Type	Craft		
Package Dimensions (LxWxH)	1025*75*105mm		
Box	A BOX		
Quantity in a Box	1		

PRODUCT TECHNICAL INFORMATION Diffused Linear Light 120cm 28W

PRODUCT SPECIFICATION			
Colour Description	Warm White	Neutral White	Cool White
CCT	3000K	4000K	6500K
Luminous Flux	2500 lm ± 10%	2700 lm ± 10%	2700 lm ± 10%
Rated Power	28W 32W (w/emg)	28W 32W (w/emg)	28W 32W (w/emg)
CRI	≥ 80	≥ 80	≥ 80
Efficacy of Luminaire	90 lm/W	96 lm/W	96 lm/W
Beam Angle of Luminaire	110°		
Unified Glare Ratio (UGR)	≤ 28		
Dimming	Optional		
Emergency	N/A		
Flicker Free	Optional		
Rated Life Time	35,000 hours		
Operated Temperature	0°C ° – +40°C		
Humidity (Relative)	85%		
IP			
ELECTRICAL SPECIFICATION			
Number of Power Supplies	1 for 1 product		
Input Voltage (Vac)	220 ~ 240Vac		
Output Voltage (Vdc)	12 – 36V		
Output Current (Idc)	1050mA ± 5%		
Frequency (Hz)	50 ~ 60Hz		
Operating Mode	Constant Current		
Power Factor	PF > 0,90		
MECHANICAL SPECIFICATION			
Dimensions (LxWxH)	1195.4*64.5*81mm		
Weight	3 kg		
Packaging Type	Craft		
Package Dimensions (LxWxH)	1325*75*105mm		
Box	A BOX		
Quantity in a Box	1		

PHOTOMETRIC SPECIFICATION



DIMMING OPTION

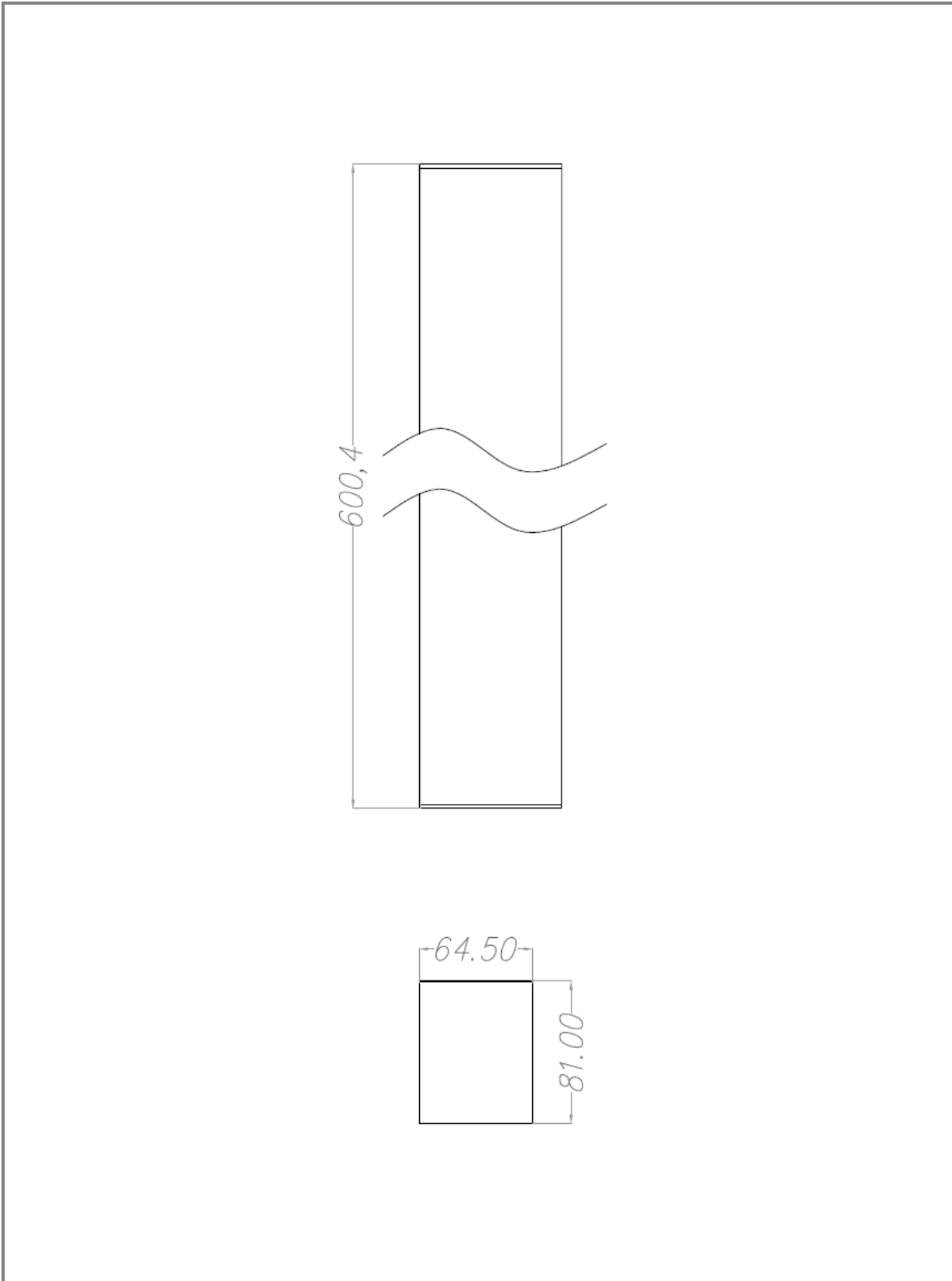
1-10V DIMMING

1-10V dimming provides analog dimming in a step-less manner. Any light level between 10% and 100% of light output, can be adjusted. This feature even enables continuous dimming with a 1-10V equipped driver.

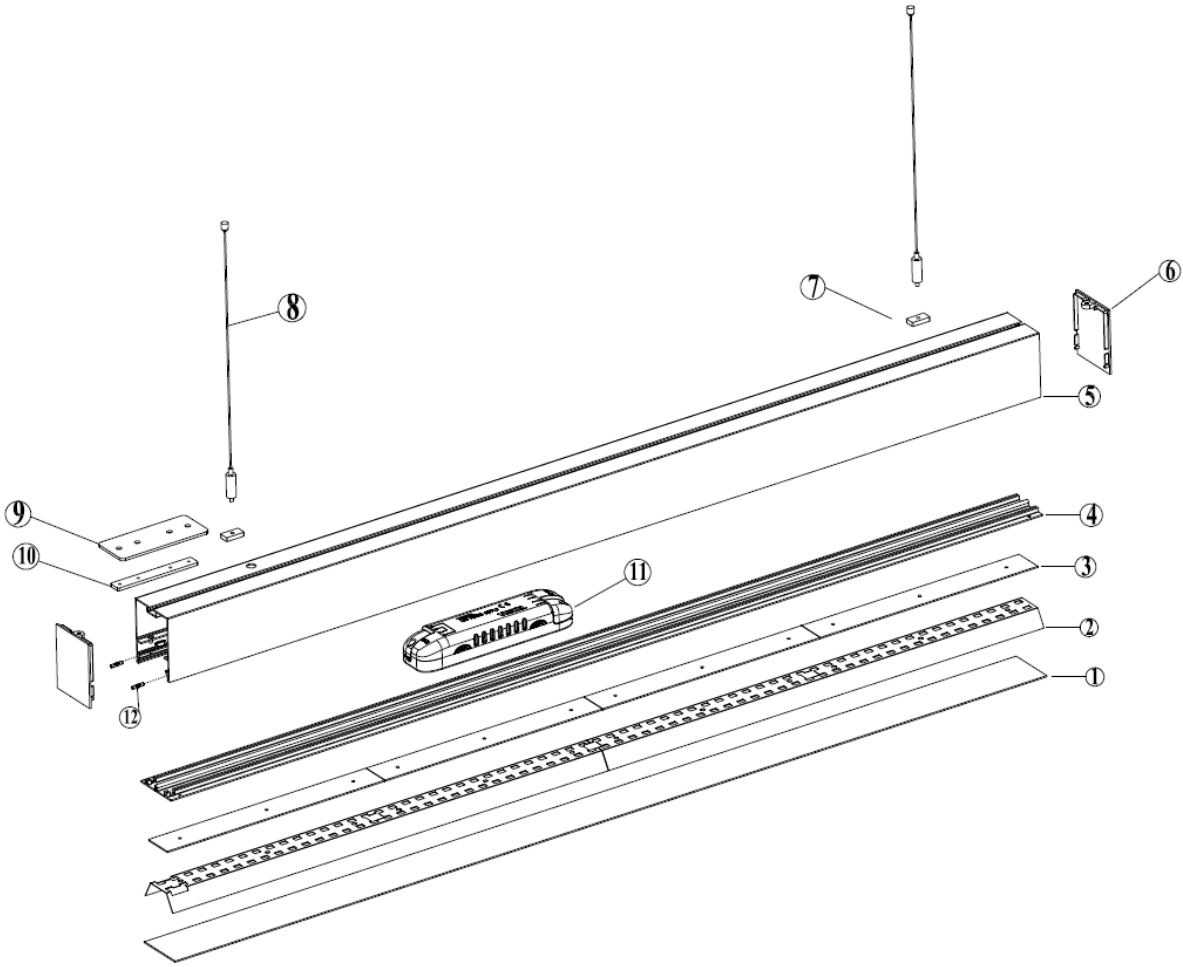
DALI DIMMING

DALI (Digital Addressable Lighting Interface) is defined under the European Standard IEC 60929. DALI has bi-directional communication, allowing control systems to query and obtain information about the status of each device.

TECHNICAL DRAWING



EXPLODED VIEW OF THE PRODUCT



--	--

NO	PARA TANIMI	ADET
1	OPTİK PLAKA	1
2	YANSITICI YÜZEY	1
3	LED KART	2
4	ALÜMİNYUM KIZAK	1
5	ALÜMİNYUM GÖVDE	1
6	PLASTİK YAN KAPAK	2
7	M4 KARE SOMUN	2
8	ASKI APARATI	2
9	SABİTLEME ELEMANI	1
10	HİZALAMA BRAKETİ	1
11	GÜÇ KAYNAĞI	1
12	GEÇİŞ PİNLERİ	2

CONTAINER INFORMATION

20" FEET	40" FEET	40" FEET
2000 Pcs	4000 Pcs	4000 Pcs

PALETTE DIMENSIONS

LENGHT	WIDTH	HEIGHT	WEIGHT	PACKAGE ON THE PALETTE
140cm	110cm	158cm	625kg	250 Pcs